

# YAMAHA

## OUTBOARD MOTOR PARTS LIST



### MODEL 25A

656-02

**2**  **YAMAHA MOTOR CO., LTD.**

## YAMAHA PARTS NEWS

Yamaha Motor Co., Ltd.

Iwata, Shizuoka

Japan

News Number OM-73518

December, 1973

### ELECTRIC STARTER KIT FOR 20A/25A

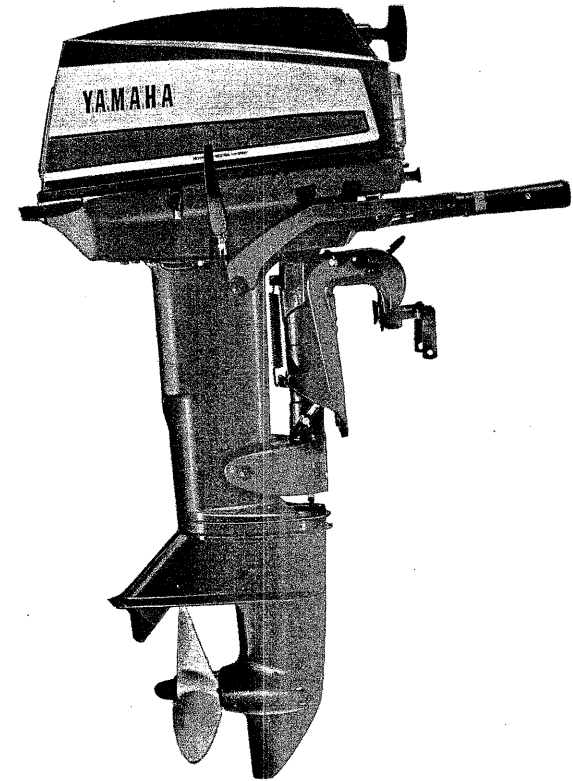
It is our pleasure to introduce you that we have prepared to accept your order of the Electric Starter Kit for the customer's convenience. Please place an order with us in accordance with the following parts numbers.

No.	Parts Number	Parts Name	Q'ty	Remark
-	656-00000-80	Electric Starter Kit	1 kit	Consist 1 to 20
1	648-81800-40	Electric Motor Ass'y	1 pc.	
2	648-82570-40	Switch Panel Ass'y	1 "	
3	656-82590-40	Wire Harness Ass'y	1 "	
4	648-42724-40	Grommet 1	1 "	
5	656-82540-41	Neutral Switch Ass'y	1 "	
6	656-15774-41	Stay 4	1 "	
7	<del>98303-04025</del>	<del>Screw, cylinder head</del>	<del>2 pcs.</del>	
8	<del>92903-04600</del>	<del>Washer, plain</del>	<del>2 "</del>	
9	656-82586-40	Extension, wire harness	1 pc.	
10	648-86110-40	Solenoid Ass'y	1 "	
11	648-81970-40	Rectifier Ass'y	1 "	
12	648-82544-40	Clamp	1 "	
13	648-48176-40	Grommet	1 "	
14	91203-06040	Bolt	1 "	
15	648-84380-40	Concent 2P Ass'y	1 "	
16	656-82105-40	Lead Wire Ass'y	1 "	
17	648-42724-40	Grommet 1	1 "	
18	91203-06040	Bolt	1 "	
19	91203-06035	Bolt	1 "	
20	648-81893-40	Shim, gear adjusting	1 "	

# **YAMAHA**

## **PARTS LIST**

### **MODEL 25A**

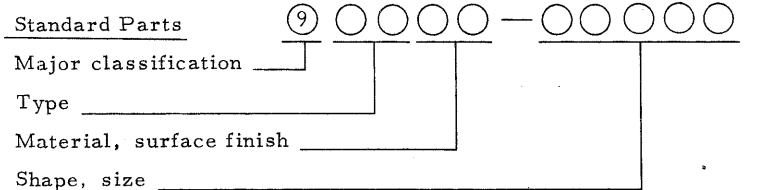
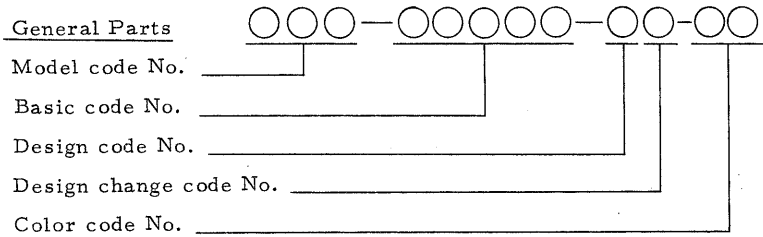


# FOREWORD

This Parts List relates to the parts in use for the Yamaha Outboard motor 25A. When you are ordering replacement parts for the 25A, refer to this Parts List and quote both part number and part names correctly.

1. Structure of Part No.

Yamaha parts are divided largely into two categories; general parts and standard parts, and each part No. has the following structure:



Note: Every standard No. begins with 9.

2. How to use this Parts List

(1) Except for steel balls (whose size is indicated in inches), the size of all parts is indicated in millimeters in the following manner.

- Pipe (rubber or vinyl) ..... Inside diameter - length
- O-ring ..... Sectional area - inside diameter
- Washer, shim, collar ..... Inside diameter - outside diameter - thickness (length)
- Pin, dowel ..... Inside diameter - outside diameter - length

(2) In the Parts List, every component part of an assembly is so listed that each part name is indented one character from the left margin, and a dot (.) is attached before each.

Parts, which are not for sale, may be omitted from the list.

**Example**

Description	Q'ty
CARBURETOR ASS'Y .....	1
. JET, pilot .....	1
. NOZZLE, main .....	1
. LEVER, stater .....	1

(3) Key to symbols

- S .... S type oil seal or S type circlip
- SD .... SD type oil seal
- SW .... SW type oil seal
- E .... E type circlip
- R .... R type circlip
- # .... Applicable machine No.
- \* .... This mark indicate for the exclusive parts for Europe.

(4) In this parts list, the right and left with respect to positions of parts are determined viewing the boat hull from the stern.

(5) This Parts List was prepared on Sep., 10, 1973. If any part of the list is changed, it will be published in the Yamaha Parts News. It is requested, therefore, that you will keep this Parts List up-to-dated by making necessary corrections.

## CONTENTS

Fig. 1	Crankcase • Cylinder .....	1
Fig. 2	Crank • Piston .....	5
Fig. 3	Intake .....	9
Fig. 4	Carburetor .....	11
Fig. 5	Choke • Throttle Link .....	15
Fig. 6	Casing .....	19
Fig. 7	Drive .....	23
Fig. 8	Water Pump .....	27
Fig. 9	Bracket .....	29
Fig. 10	Tilt Lock .....	33
Fig. 11	Mounting .....	35
Fig. 12	Gear Shift .....	39
Fig. 13	Handle .....	43
Fig. 14	Flywheel Magneto .....	47
Fig. 15	Starter .....	51
Fig. 16	Cowling .....	55
Fig. 17	Fuel Pump .....	59
Fig. 18	Piping .....	61
Fig. 19	Fuel Tank ('73) .....	63
Fig. 20	Fuel Tank ('74) .....	67

### EXCLUSIVE PARTS

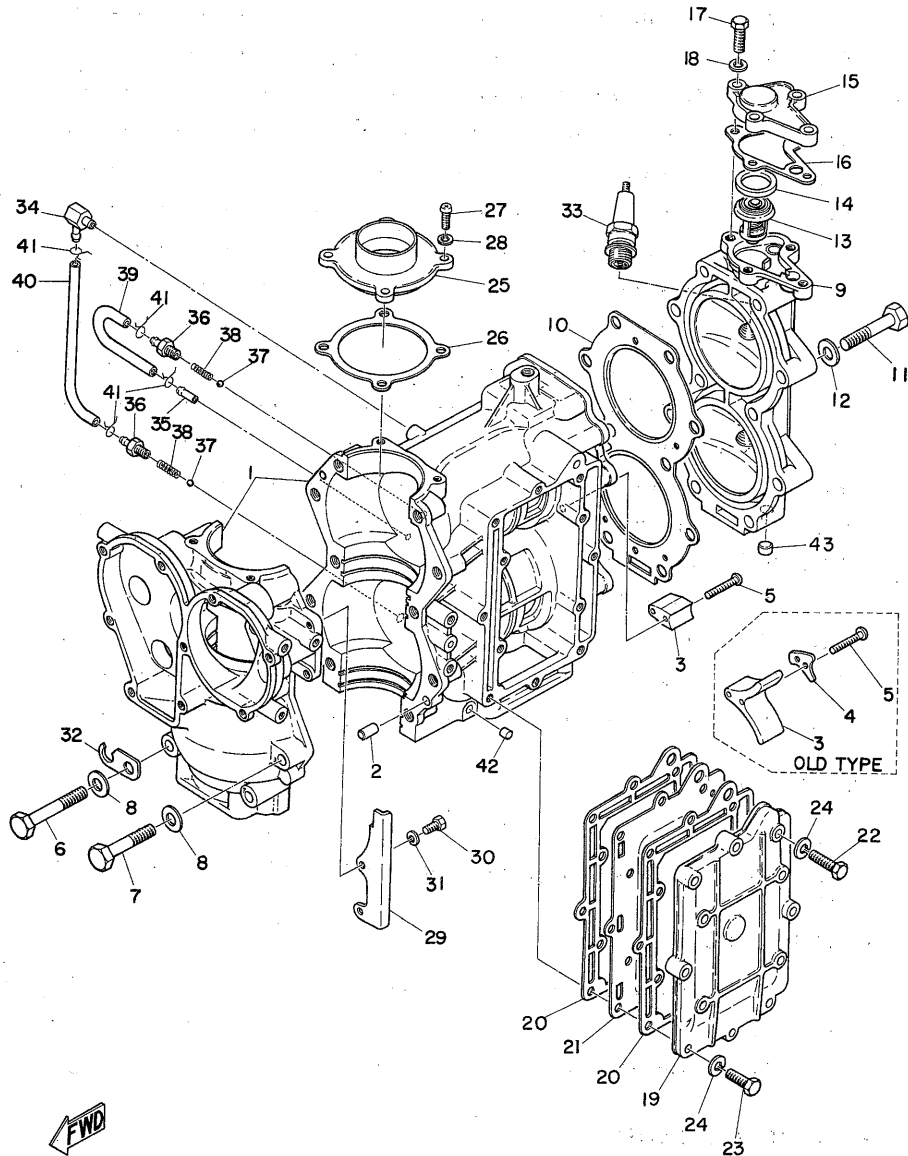
Fig. 21	Fuel Tank .....	71
Fig. 22	Flywheel Magneto • Handle • Propeller .....	73

### ALTERNATE PARTS

Fig. 23	Switch Panel .....	77
Fig. 24	Wire • Rectifier .....	79
Fig. 25	Electric Motor .....	81

### NUMERICAL INDEX

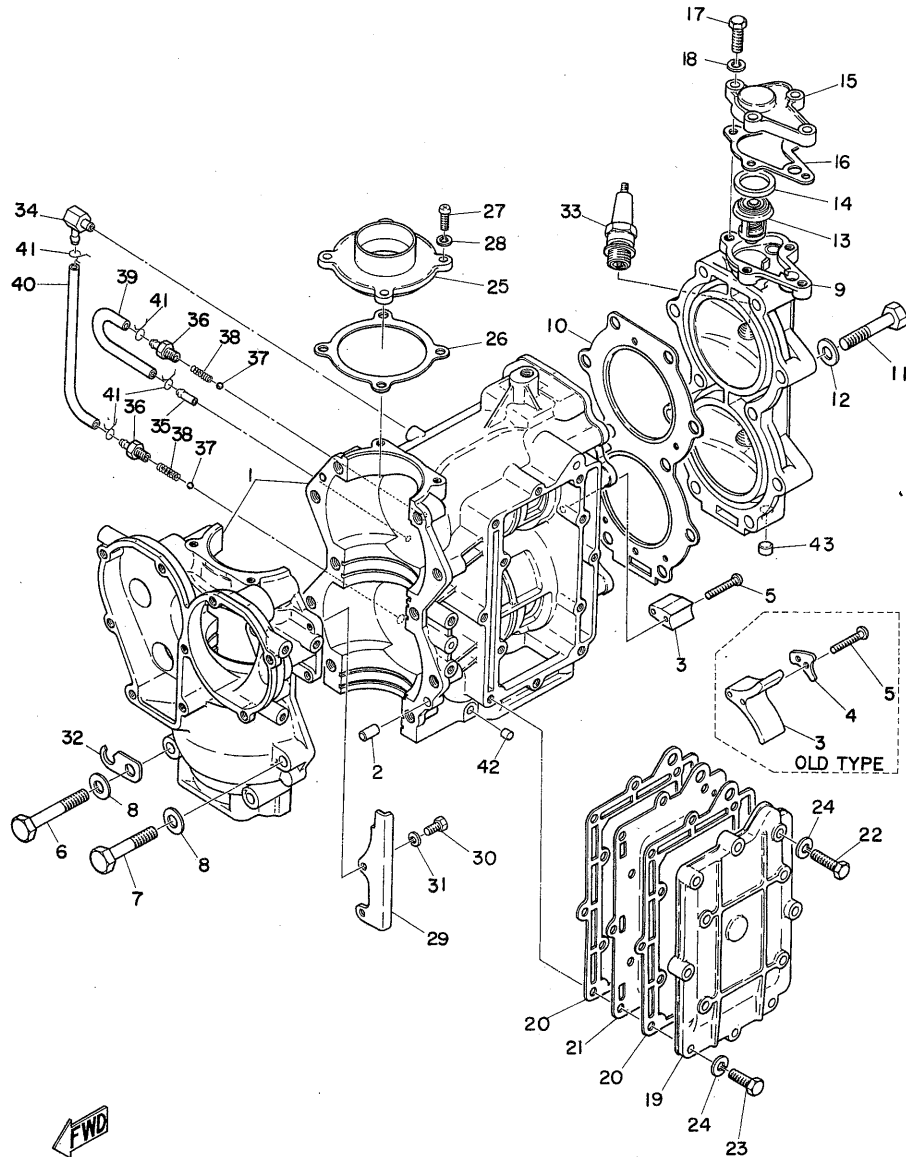
Fig. 1 CRANKCASE · CYLINDER



CRANKCASE · CYLINDER

Ref. No.	Part No.	Description	Q'ty		Applicable Machine No.	Remarks
			'73	'74		
1- 1	648-15100-00-94	CRANKCASE ASS'Y	1			
	656-15100-01-94	CRANKCASE ASS'Y	1			
	656-15100-02-94	CRANKCASE ASS'Y		1		
1- 2	93606-12019	. PIN, dowel B (6-12)	2	2		
1- 3	656-11325-00	. ANODE	1			
	656-11325-01	. ANODE		1		
1- 4	656-11165-00	. PLATE, anode	1			
1- 5	90150-04008	. SCREW, special	2	2		
1- 6	97313-08055	BOLT	8	8		
1- 7	97313-08045	BOLT	2	2		
1- 8	648-11175-00	WASHER, holding l	10	10		
1- 9	648-11111-01-94	HEAD, cylinder	1			
	656-11111-02-94	HEAD, cylinder	1	1		
1-10	648-11181-02	GASKET, cylinder head l	1			
	656-11181-01	GASKET, cylinder head		1		
	656-11181-03	GASKET, cylinder head		1		
1-11	97313-08045	BOLT	10	10		
1-12	648-11175-00	WASHER, holding l	10	10		
1-13	648-12411-00	THERMOSTAT	1			
	656-12411-00	THERMOSTAT		1		
	656-12411-01	THERMOSTAT		1		
1-14	648-12418-00	RING, thermostat	1	1		
1-15	648-12413-02-94	COVER, thermostat	1	1		
1-16	648-12414-01	GASKET, thermostat cover	1	1		
1-17	91203-06020	BOLT	4	4		
1-18	92903-06100	WASHER, spring	4	4		
1-19	648-41113-00-94	OUTER COVER, exhaust	1			
	656-41113-00-94	OUTER COVER, exhaust	1	1		

Fig. 1 CRANKCASE · CYLINDER

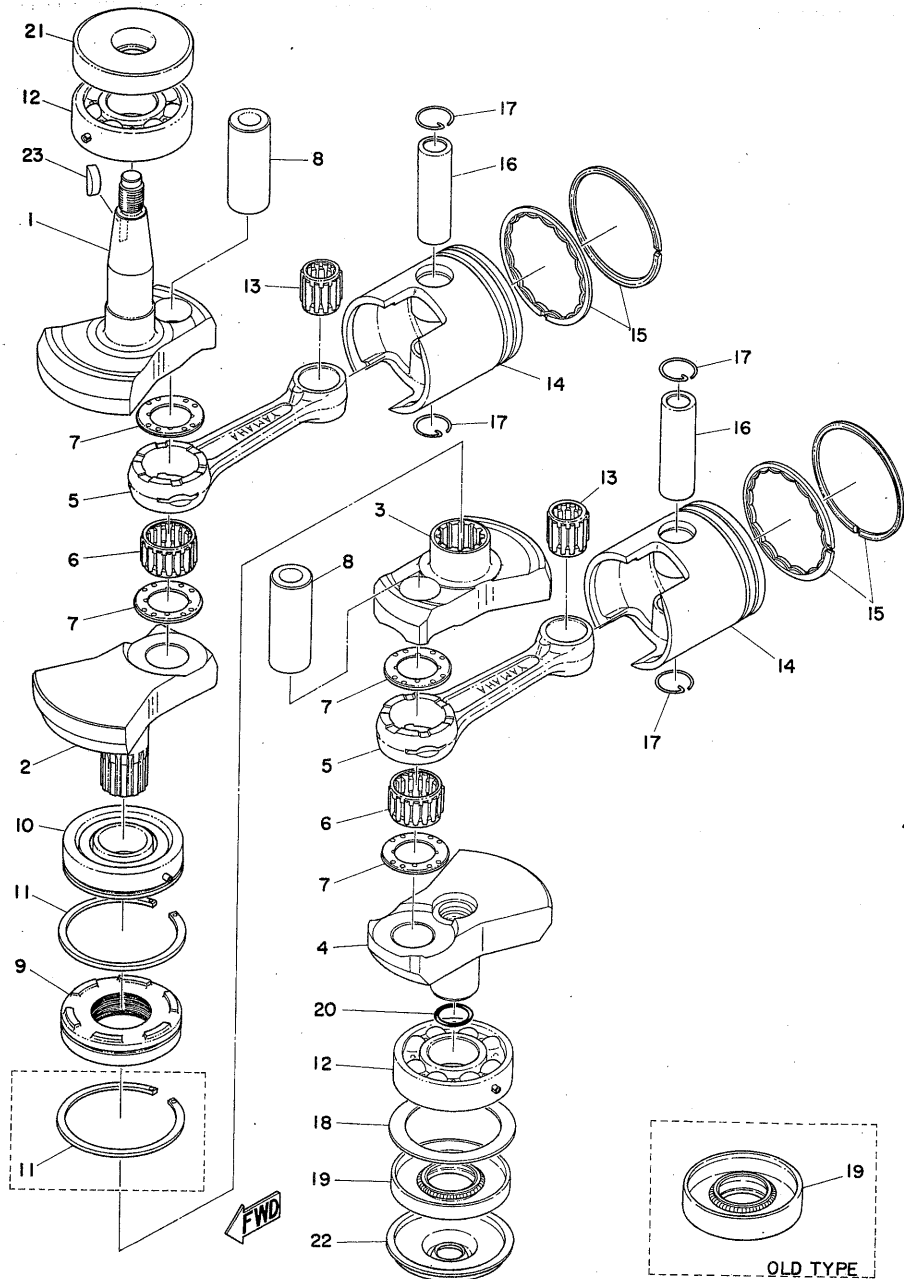


CRANKCASE · CYLINDER

Ref. No.	Part No.	Description	Q'ty		Applicable Machine No.	Remarks
			'73	'74		
1-20	648-41114-00	GASKET, exhaust outer cover ..	2			
	648-41114-01	GASKET, exhaust outer cover ..	2			
	656-41114-01	GASKET, outer cover .....	2			
	656-41114-02	GASKET, exhaust .....	2			
1-21	648-41111-00	INNER COVER, exhaust .....	1			
	656-41111-00	INNER COVER, exhaust .....	1	1		
1-22	91203-06030	BOLT .....	9	9		
1-23	91203-06025	BOLT .....	3	3		
1-24	92903-06100	WASHER, spring .....	12	12		
1-25	648-15359-00-94	HOUSING, oil seal .....	1	1		
1-26	648-15369-00	GASKET, oil seal housing ....	1	1		
1-27	92503-06020	SCREW, panhead .....	4	4		
1-28	92903-06100	WASHER, spring .....	4	4		
1-29	648-41616-00	STOPPER, magneto base 2 ...	1	1		
1-30	91203-06010	BOLT .....	2	2		
1-31	92903-06100	WASHER, spring .....	2	2		
1-32	648-82544-00	CLAMP .....	1	1		
1-33	94701-00040	PLUG, spark (B-7HS) .....	2	2		
1-34	650-14485-01	PIPE, joint .....	1			
1-35	624-14485-00	PIPE, joint .....	1			
1-36	624-14588-01	CONNECTOR .....	2			
1-37	93501-08001	BALL (1/8 inch) .....	2			
1-38	90501-02223	SPRING, compression .....	2			
1-39	655-24312-00	PIPE 2 .....	1			
1-40	90445-07198	HOSE .....	1			
1-41	90467-07016	CLIP .....	4			
1-42	90334-06013	PLUG, strait .....	1			
1-43	90334-10014	PLUG, strait .....	1			



Fig. 2 CRANK · PISTON

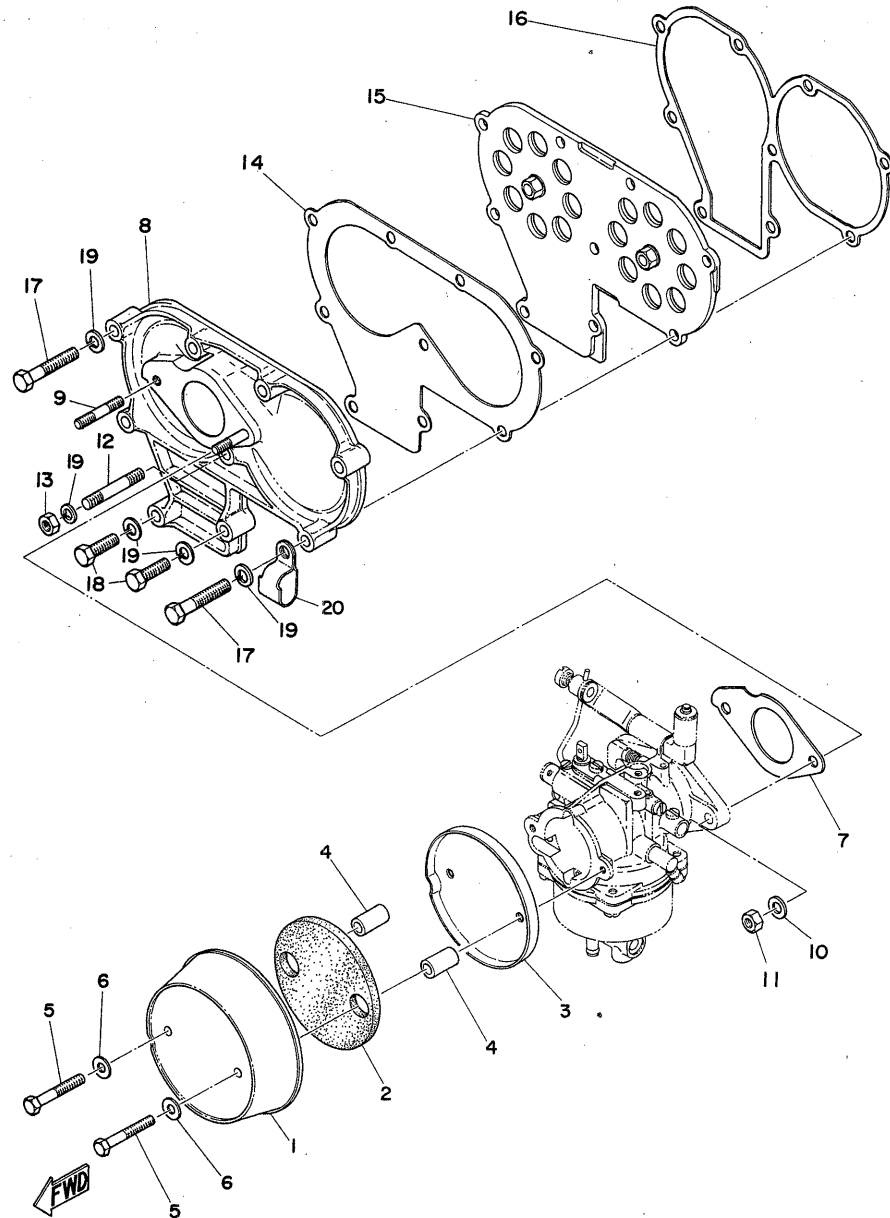


CRANK · PISTON

Ref. No.	Part No.	Description	Q'ty		Applicable Machine No.	Remarks
			'73	'74		
2-16	648-11633-00	PIN, piston .....	2	2		
2-17	604-11634-00	CLIP, piston pin .....	4	4		
2-18	648-11587-00	WASHER, lock (50-66-1.5) ....	1	1		
2-19	93102-25097	OIL SEAL (SD-25-62-14) .....	1			
	93102-25114	OIL SEAL (SD-25-62-8) .....	1	1		
2-20	93210-14167	O-RING (1.9-14.0) .....	1	1		
2-21	93102-23096	OIL SEAL (SD-23-37-7) .....	1	1		
2-22	93104-14047	OIL SEAL (SD-14-62-12) .....	1	1		
2-23	90280-05013	KEY, woodruff .....	1	1		



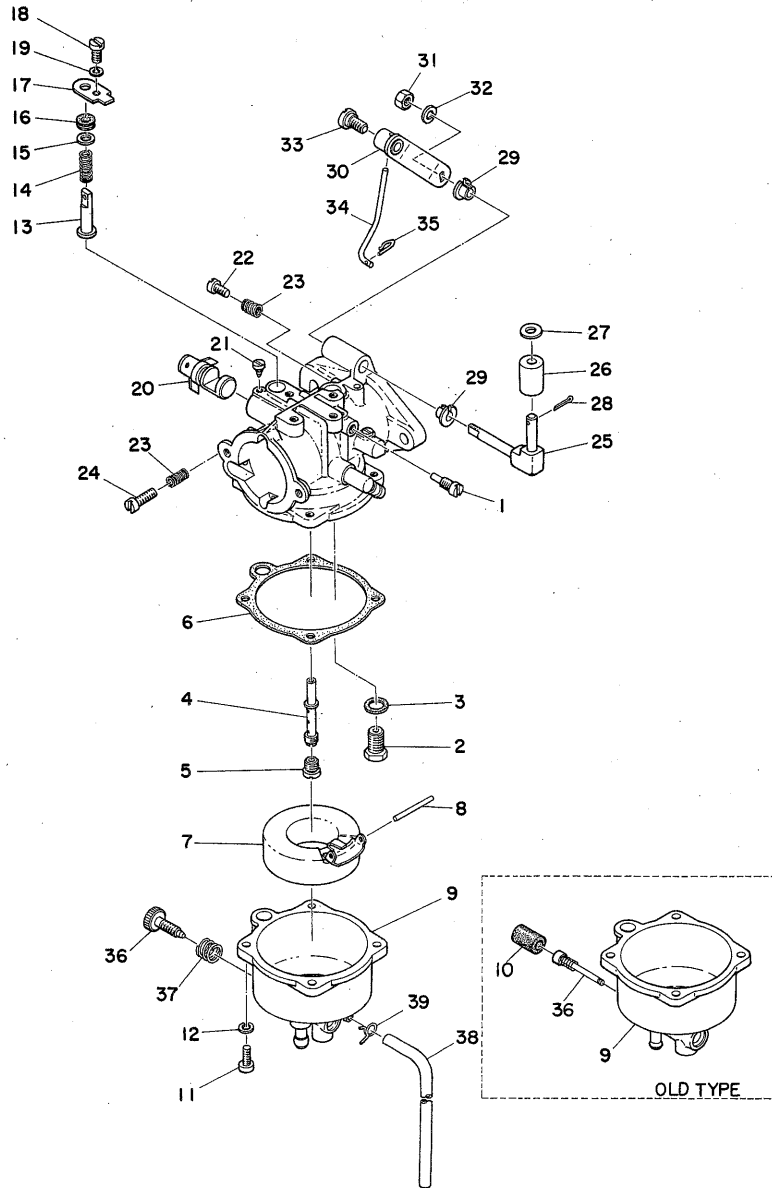
Fig. 3 INTAKE



INTAKE

Ref. No.	Part No.	Description	Q'ty		Applicable Machine No.	Remarks
			'73	'74		
3- 1	648-14417-00	COVER .....	1	1		
3- 2	648-14451-00	ELEMENT 1 .....	1	1		
3- 3	648-11461-00	ELEMENT 2 .....	1	1		
3- 4	648-14443-00	COLLAR, distance (6.5-10.5-20)	2	2		
3- 5	97203-05035	BOLT .....	2	2		
3- 6	92903-05200	WASHER, plain .....	2	2		
3- 7	648-14198-00	GASKET .....	1	1		
3- 8	648-13641-01-94	MANIFOLD, intake .....	1	1		
3- 9	648-13558-00	STUD .....	2	2		
3-10	92903-06200	WASHER, plain .....	2	2		
3-11	98803-06100	NUT .....	2	2		
3-12	648-13568-00	STUD .....	1			
	90116-06147	BOLT, stud .....	1	1		
3-13	98803-06100	NUT .....	1	1		
3-14	648-13645-00	GASKET, intake manifold 1 ...	1	1		
3-15	648-13610-00	REED VALVE ASS'Y .....	1	1		
3-16	648-13621-00	PACKING, valve seat .....	1	1		
3-17	91203-06035	BOLT .....	7	7		
3-18	91203-06020	BOLT .....	2	2		
3-19	92903-06100	WASHER, spring .....	9	9		
3-20	626-82361-00	CLAMP, cord .....	1	1		

Fig. 4 CARBURETOR

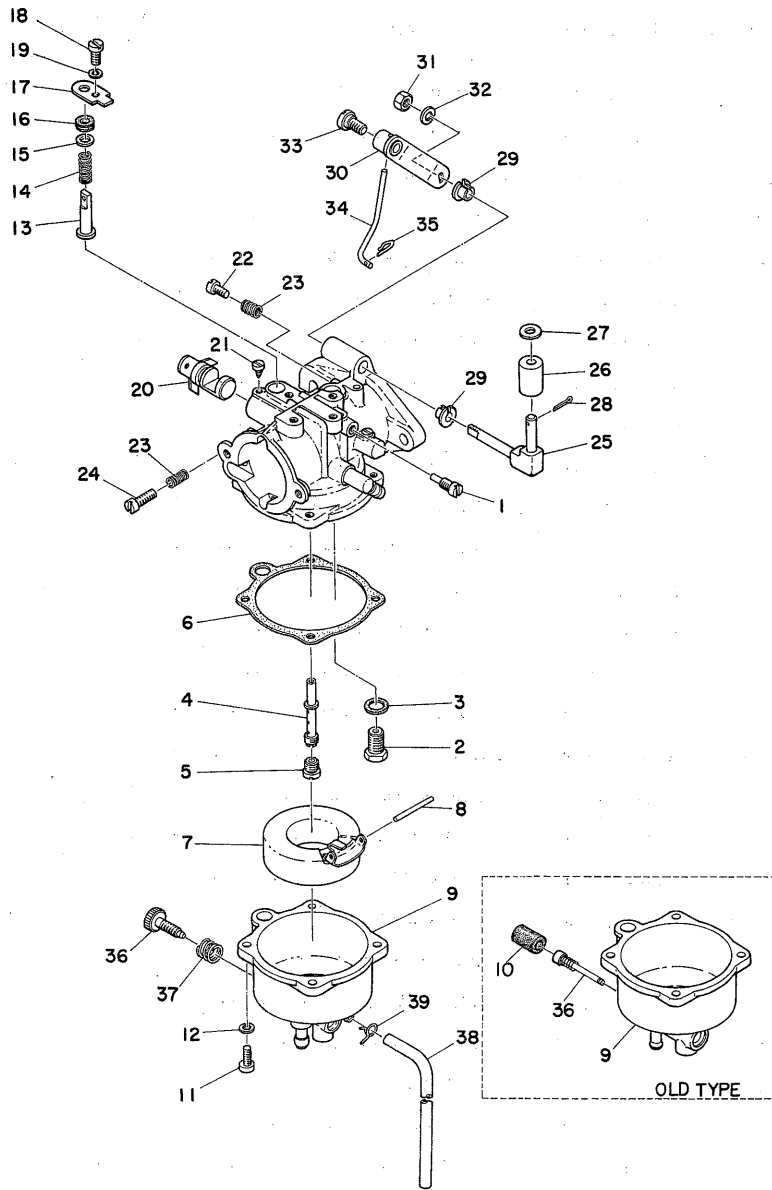


CARBURETOR

Ref.No.	Part No.	Description	Q'ty		Applicable Machine No.	Remarks
			'73	'74		
4- 0-1	648-14301-03	CARBURETOR ASS'Y	1			
	656-14301-00	CARBURETOR ASS'Y	1	1		
4- 1	648-14342-00	. JET, pilot (#64)	1			
	648-14342-30	. JET, pilot	1			
4- 2	648-14390-14	. VALVE SEAT ASS'Y	1	1		
4- 3	626-14398-00	. GASKET, valveseat	1	1		
4- 4	648-14341-00	. NOZZLE, main	1	1		
4- 5	648-14343-70	. JET, main (#140)	1			
	648-14343-72	. JET, main (#144)	1			
	653-14343-00	. JET, main (#140)	1			
4- 6	648-14384-00	. GASKET, float chamber	1			
	648-14384-01	. GASKET, float chamber	1	1		
4- 7	648-14385-00	. FLOAT	1	1		
4- 8	648-14386-00	. PIN, float	1	1		
4- 9	648-14381-03	. BODY, float chamber	1			
	656-14381-00	. BODY, float chamber	1	1		
4-10	648-14225-00	. CAP	1	1		
4-11	98503-04012	. SCREW, panhead	4	4		
4-12	92990-04100	. WASHER, spring	4	4		
4-13	648-14371-01	. PLUNGER, starter	1	1		
4-14	648-14335-01	. SPRING, plunger	1	1		
4-15	648-14378-00	. PLATE, starter lever 1	1	1		
4-16	648-14372-02	. SEAL, plunger	1	1		
4-17	648-14374-01	. CAP, plunger	1	1		
4-18	98380-04008	. SCREW, cylinderhead	1	1		
4-19	92990-04100	. WASHER, spring	1	1		
4-20	648-14375-00	. LEVER, starter 1	1	1		
4-21	626-14326-00	. SCREW, guide	2	2		



Fig. 4 CARBURETOR

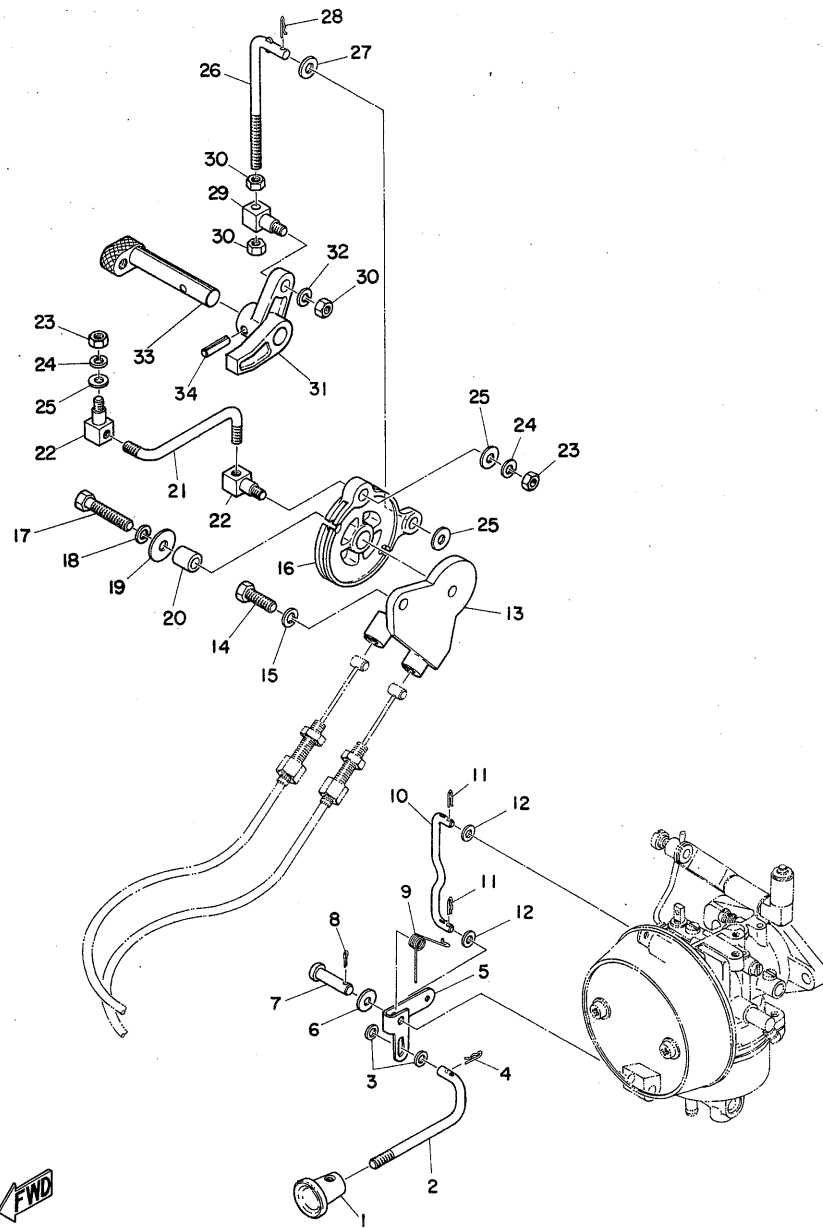


CARBURETOR

Ref. No.	Part No.	Description	Q'ty		Applicable Machine No.	Remarks
			'73	'74		
4-22	648-14323-00	. SCREW, air adjusting	1	1		
4-23	648-14334-00	. SPRING, air adjusting	1	1		
4-24	648-14321-00	. SCREW, throttle	1	1		
4-25	648-41216-00	. SHEAVE SHAFT, throttle link	1	1		
4-26	626-41231-00	. COLLAR, guide pin	1			
	626-41231-01	. COLLAR, guide pin		1		
4-27	92990-05200	. WASHER, plain	2	2		
4-28	91490-12008	. PIN, cotter	1	1		
4-29	626-41291-00	. BUSHING 1	2	2		
4-30	648-41210-01	. THROTTLE ARM ASS'Y	1	1		
4-31	98803-05300	. NUT	1	1		
4-32	92990-05100	. WASHER, spring	1	1		
4-33	626-14327-00	. SET SCREW, starter lever 1..	1	1		
4-34	648-41241-01	. ROD 1	1	1		
4-35	626-41236-01	. PIN, hair 2	1			
	626-41236-02	. PIN, hair 2	1	1		
4-36	650-14394-00	. VALVE, drain	1	1		
4-37	650-14223-00	. SPRING, drain valve	1	1		
4-38	648-14196-00	PIPE, over flow	1	1		
4-39	615-14159-00	CLIP	1	1		



Fig. 5 CHOKE · THROTTLE LINK

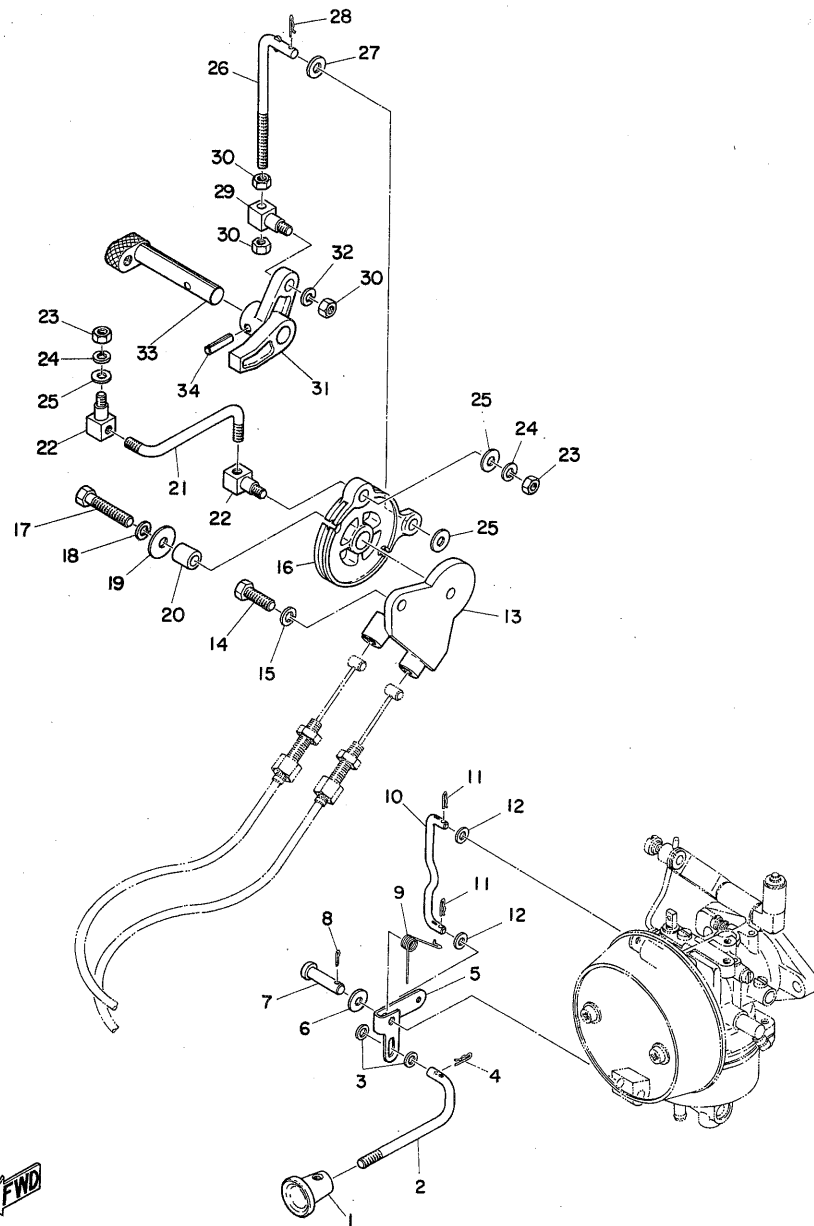


CHOKE · THROTTLE LINK

Ref.No.	Part No.	Description	Q'ty		Applicable Machine No.	Remarks
			'73	'74		
5- 1	648-41227-00	NOB .....	1	1		
5- 2	648-41257-01	ROD, choke link 2 .....	1	1		
5- 3	92990-05200	WASHER, plain .....	2	2		
5- 4	626-41235-00	PIN, hair 1 .....	1	1		
5- 5	648-41252-01	LEVER, chork 1 .....	1	1		
5- 6	92990-05200	WASHER, plain .....	2	2		
5- 7	91790-05022	PIN, clevis 2 .....	1	1		
5- 8	91490-16010	PIN, cotter .....	1	1		
5- 9	648-41265-00	SPRING, choke 1 .....	1	1		
5-10	648-41256-00	ROD, choke link 1 .....	1	1		
5-11	626-41236-00	PIN, hair 2 .....	2	2		
5-12	92990-03200	WASHER, plain .....	2	2		
5-13	648-41661-00-94	BRACKET 1 .....	1	1		
5-14	91203-06018	BOLT .....	1	1		
5-15	92903-06100	WASHER, spring .....	1	1		
5-16	648-41631-00-94	LEVER, magneto control .....	1	1		
5-17	91203-06030	BOLT .....	1	1		
5-18	92903-06100	WASHER, spring .....	1	1		
5-19	648-41656-00	BUSHING 2 (6.5-17-1.6) .....	1	1		
5-20	648-41655-00	BUSHING 1 .....	1	1		
5-21	648-41636-00	ROD, magneto control 1 .....	1	1		
5-22	648-41635-00	SHAFT, link connecting .....	2	2		
5-23	98803-05100	NUT .....	2	2		
5-24	92903-05100	WASHER, spring .....	2	2		
5-25	92903-05200	WASHER, plain .....	2	2		
5-26	648-42169-00	JOINT .....	1			
	648-42169-01	JOINT .....	1	1		
5-27	92903-05200	WASHER, plain .....	2	2		

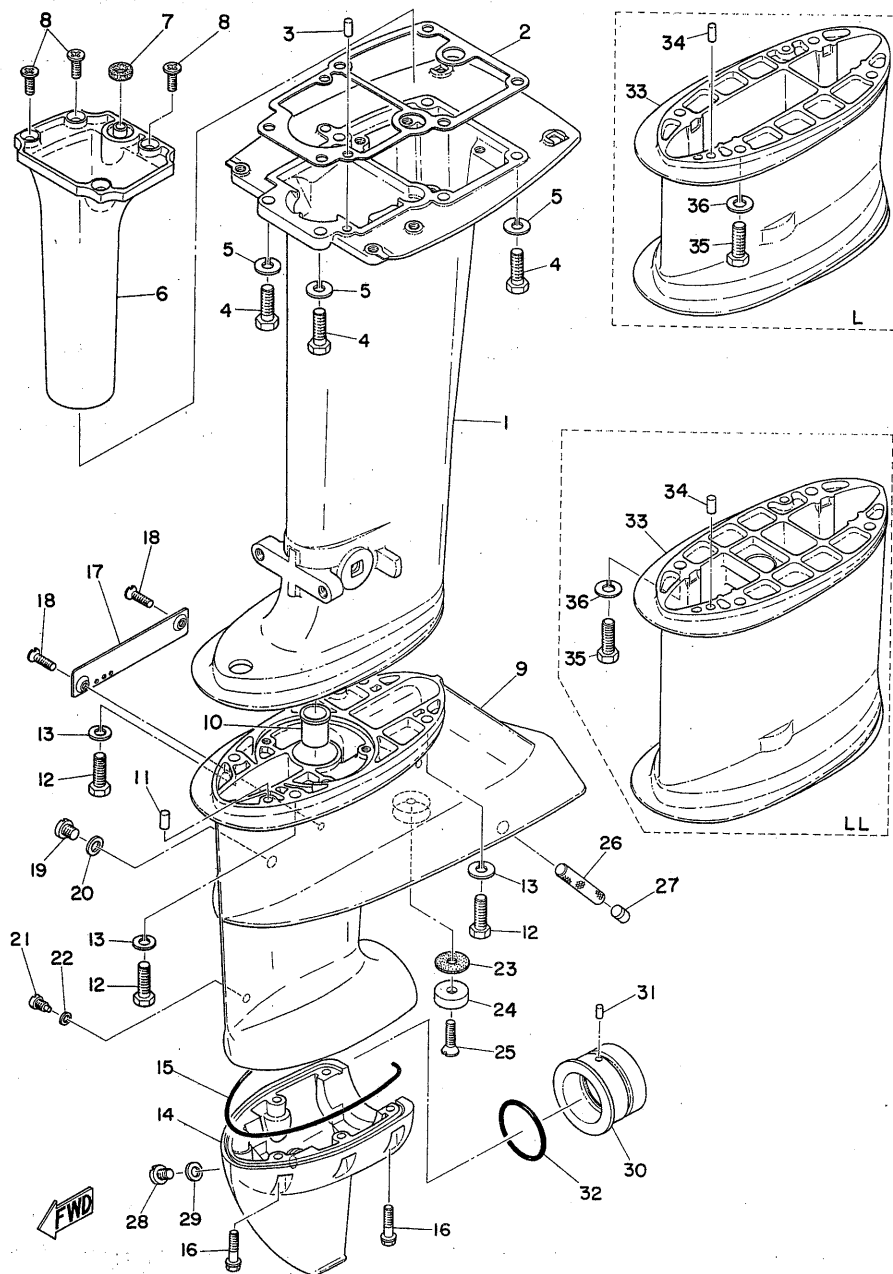
Fig. 5 CHOKE · THROTTLE LINK

CHOKE · THROTTLE LINK



Ref. No.	Part No.	Description	Q'ty		Applicable Machine No.	Remarks
			'73	'74		
5-28	626-41235-00	PIN, hair 1	1	1		
5-29	648-42195-00	PIN, joint 1	1	1		
5-30	98803-05100	NUT	3	3		
5-31	648-42154-00-94	LEVER, throttle control	1			
	648-42154-01-94	LEVER, throttle control	1			
	656-42154-00	LEVER, throttle control		1		
5-32	92903-05100	WASHER, spring	1	1		
5-33	648-42153-01-F6	SHAFT, throttle control	1			Metallic Ocean Blue
	648-42153-02-F6	SHAFT, throttle control	1			Metallic Ocean Blue
	656-42153-00	SHAFT, throttle control		1		
5-34	91690-40022	PIN, spring	1	1		

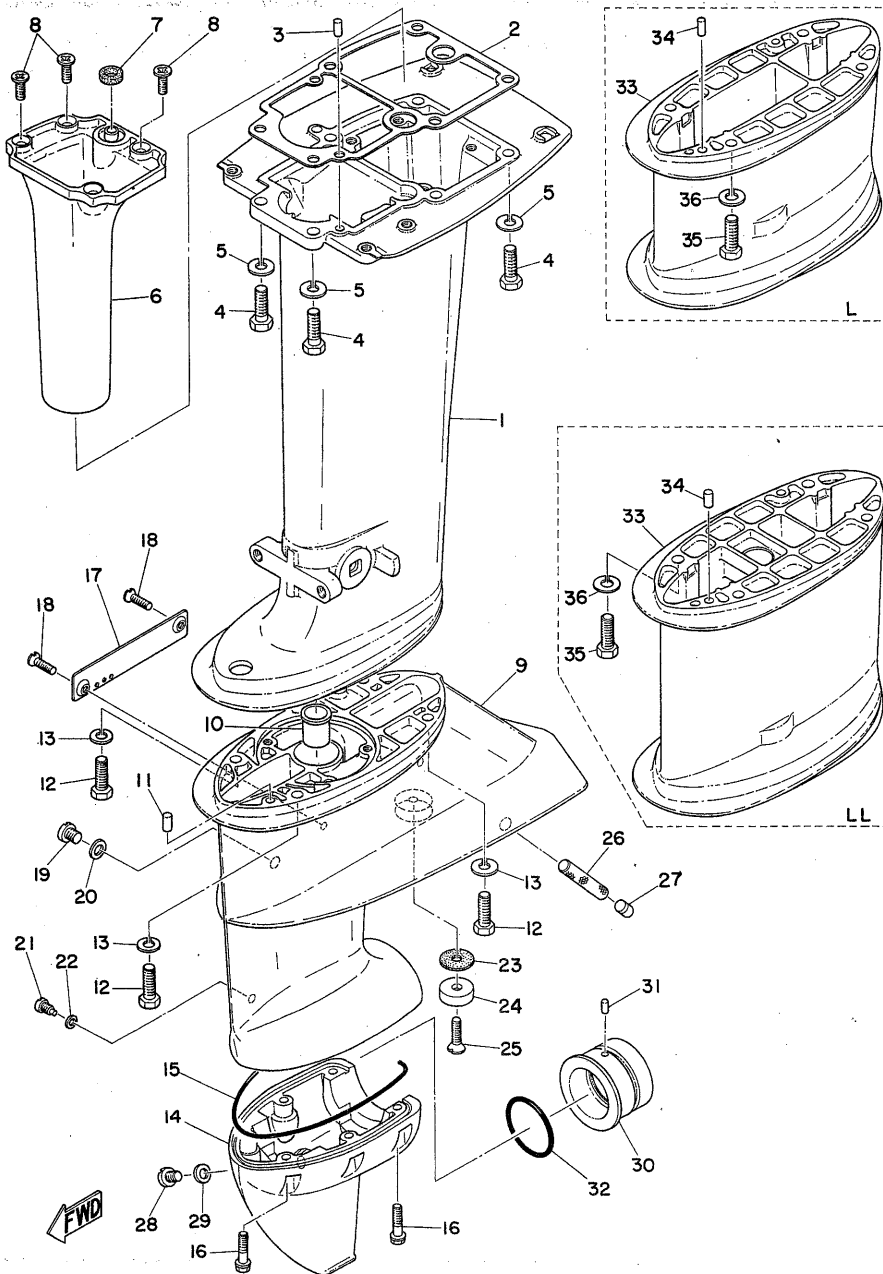
Fig. 6 CASING



CASING

Ref. No.	Part No.	Description	Q'ty		Applicable Machine No.	Remarks
			'73	'74		
6- 1	648-45111-01-F6	CASING, upper	1			Metallic Ocean Blue
	656-45111-00-F6	CASING, upper		1		Metallic Ocean Blue
6- 2	648-45113-00	GASKET, upper casing	1			
	656-45113-00	GASKET, upper casing		1		
6- 3	93606-12019	PIN, dowel (6-12)	2	2		
6- 4	97280-08025	BOLT	6			
	97370-08030	BOLT		6	6	
6- 5	92990-08100	WASHER, spring	6	6		
6- 6	648-41131-00-94	MANIFOLD, exhaust 1	1	1		
6- 7	648-41133-01	GASKET, exhaust manifold	1	1		
6- 8	92780-06015	SCREW, flathead	4	4		
6- 9	648-45301-00-F6	LOWER CASING COMP. 1	1			Metallic Ocean Blue
	656-45301-00-F6	LOWER CASING COMP. 1		1		Metallic Ocean Blue
6-10	648-45316-09	BUSHING, drive shaft 1	1	1		
6-11	93606-12019	PIN, dowel (6-12)	2	2		
6-12	97280-08025	BOLT	4	4		
6-13	92990-08100	WASHER, spring	4	4		
6-14	648-45312-00-F6	CASING, lower 2	1	1		Metallic Ocean Blue
6-15	648-45314-00	SEAL, lower casing	1	1		
6-16	97470-06025	BOLT	6	6		
6-17	648-45214-00-F6	COVER, water inlet 1	1			Metallic Ocean Blue
	656-45214-00-F6	COVER, water inlet 1		1		Metallic Ocean Blue
6-18	98180-05015	SCREW, ovalhead	2	2		
6-19	606-45341-00	PLUG, drain	2			
	647-45341-00	PLUG, drain		2		
6-20	604-45342-00	GASKET, drain plug	2	2		
6-21	626-44165-00	SCREW, detent	1	1		
6-22	626-44166-00	GASKET, detent screw	1	1		

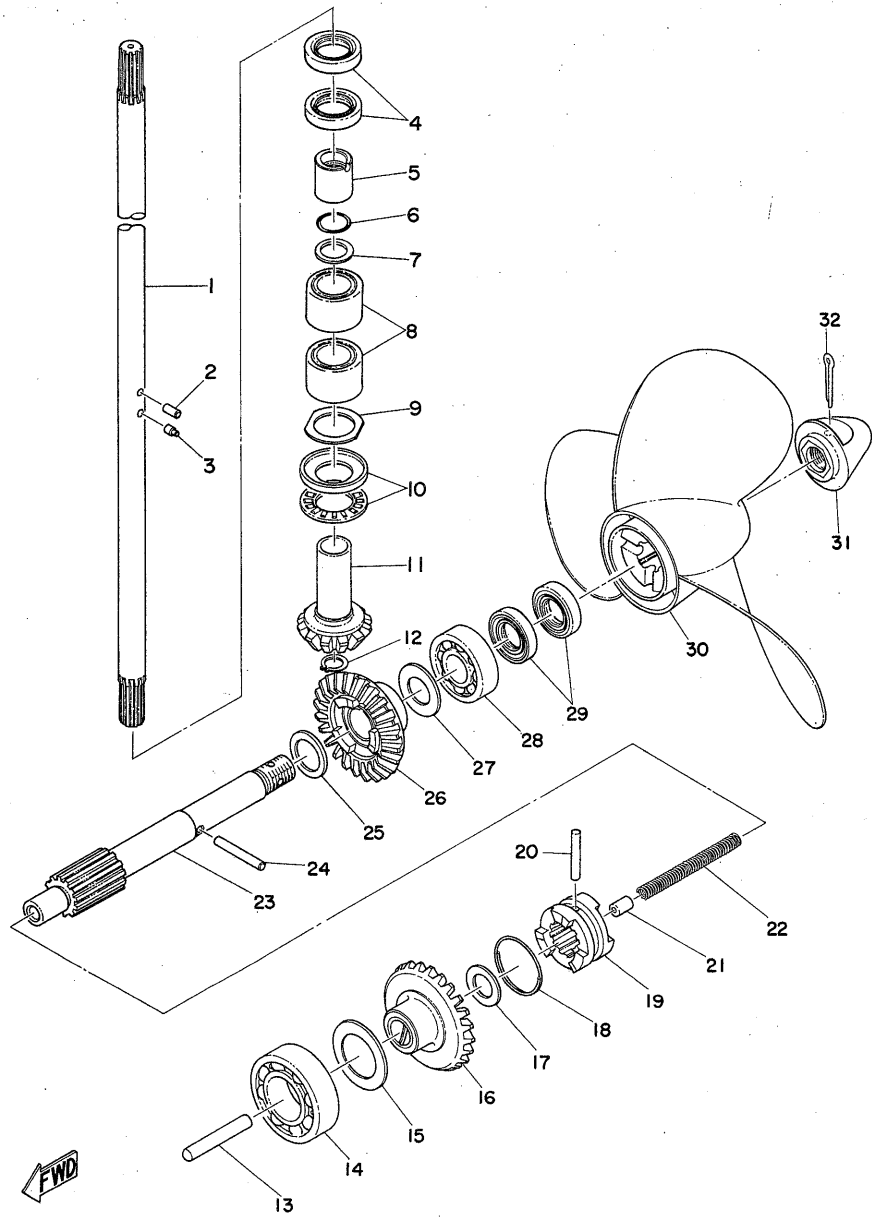
Fig. 6 CASING



CASING

Ref. No.	Part No.	Description	Q'ty		Applicable Machine No.	Remarks
			'73	'74		
6-23	616-45252-30	SEAT	1	1		
6-24	616-45251-30	ANODE	1	1		
6-25	92180-06020	SCREW, ovalhead	1	1		
6-26	626-45215-00	COVER, water inlet 2	1	1		
6-27	626-45247-00	PLUG, blind 1	1	1		
6-28	647-45341-00	PLUG, drain	1	1		
6-29	604-45342-00	GASKET, drain plug	1	1		
6-30	648-45361-01-94	CAP, lower casing	1	1		
6-31	93604-09068	PIN, dowel B (3.5-9)	1	1		
6-32	93210-45161	O-RING (3.5-45)	1	1		
6-33	648-45211-10-F6	EXTENSION	1			L Metallic Ocean Blue
	656-45211-10-F6	EXTENSION	1			L Metallic Ocean Blue
	648-45211-21-F6	EXTENSION	1			LL Metallic Ocean Blue
	656-45211-20-F6	EXTENSION	1			LL Metallic Ocean Blue
6-34	93606-12019	PIN, dowel B (6.0-12)	2	2		
6-35	97280-08025	BOLT	4	4		
6-36	92990-08100	WASHER, spring	4	4		

Fig. 7 DRIVE

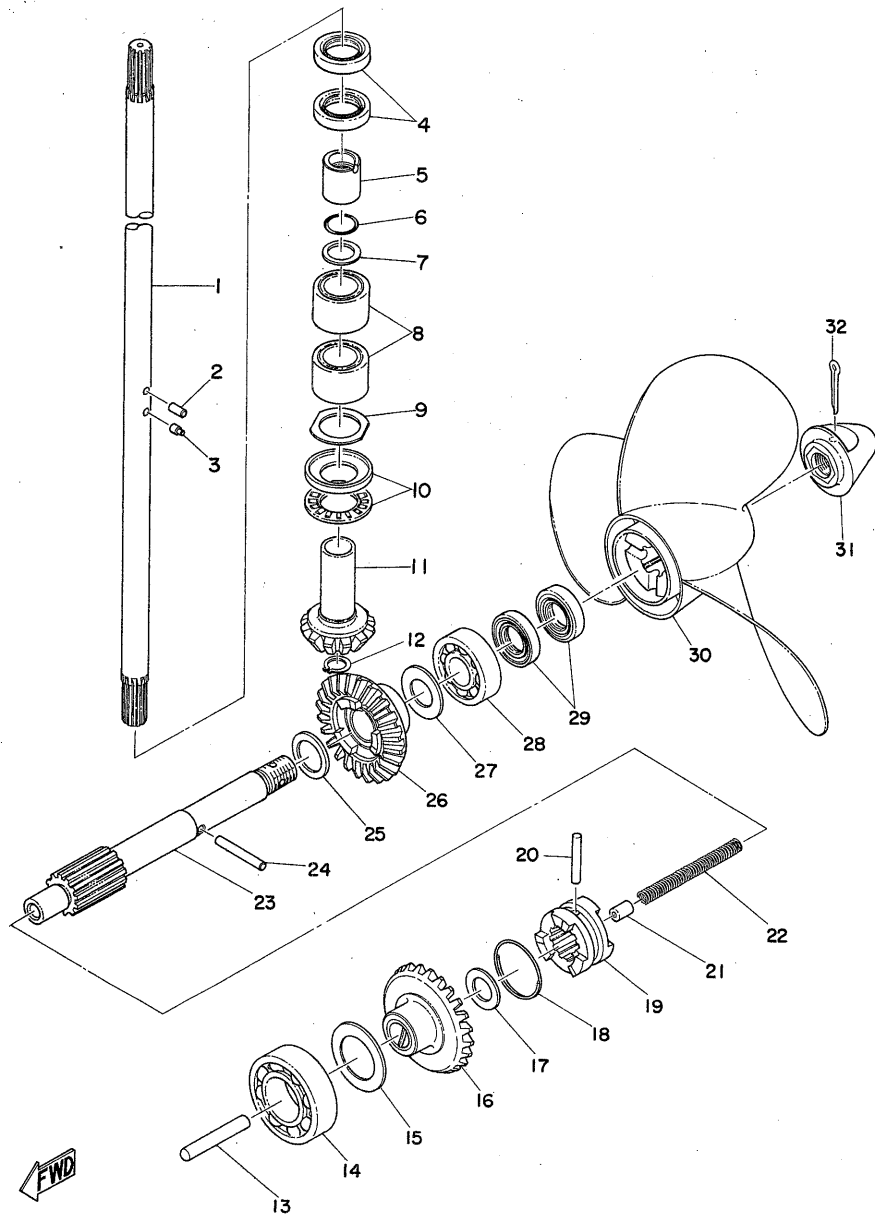


DRIVE

Ref. No.	Part No.	Description	Q'ty		Applicable Machine No.	Remarks
			'73	'74		
7- 1	648-45511-00	SHAFT, drive 1	1	1		
	648-45511-10	SHAFT, drive 1	1	1		L
	648-45511-20	SHAFT, drive 1	1	1		LL
7- 2	<del>648-44355-00</del> 648-44355-00	PIN, impeller (4.0-9.0)	1	1		78.5-01
7- 3	626-45524-00	PIN	1	1		
7- 4	93101-20048	OIL SEAL (S-20-30-6)	2	2		
7- 5	626-45526-00	COLLAR, drive shaft 1	1	1		
7- 6	93210-14106	O-RING (1.9-14)	1	1		
7- 7	626-45534-00-04	THRUST WASHER, drive shaft 2 (14.3-19-0.4)	U.R	U.R		
7- 8	93318-32204	BEARING, needle	2	2		
7- 9	626-45533-00-02	THRUST WASHER, drive shaft 1 (21.5-33-0.2)	U.R 1	1		
	626-45533-00-03	THRUST WASHER, drive shaft 1 (21.5-33-0.3)				
7-10	93341-22008	BEARING, thrust needle (#4000)	1	1		
7-11	648-45551-00	PINION (13T)	1	1		
7-12	93410-12003	CIRCLIP (S-12)	1	1		
7-13	648-45635-00	PLUNGER, shift	1	1		
7-14	93306-20511	BEARING, ball (6205)	1	1		
7-15	648-45567-00-02	SHIM, gear adjust 1 (25.5-38-0.2)	U.R 1	1		
	648-45567-00-03	SHIM, gear adjust 1 (25.5-38-0.3)				
7-16	648-45560-0	GEAR ASS'Y 1 (23T)	1			
	648-45560-01	GEAR ASS'Y 1 (23T)		1		
7-17	648-45566-00	WASHER, thrust 1 (14.4-23.5-1.5)	1			
	648-45566-01	WASHER, thrust 1 (14.4-23.5-1.5)	1	1		
7-18	648-45633-00	RING, cross pin	1	1		
7-19	648-45631-00	CLUTCH, dog	1	1		
7-20	648-45632-00	CLOSS PIN (5-30)	1	1		



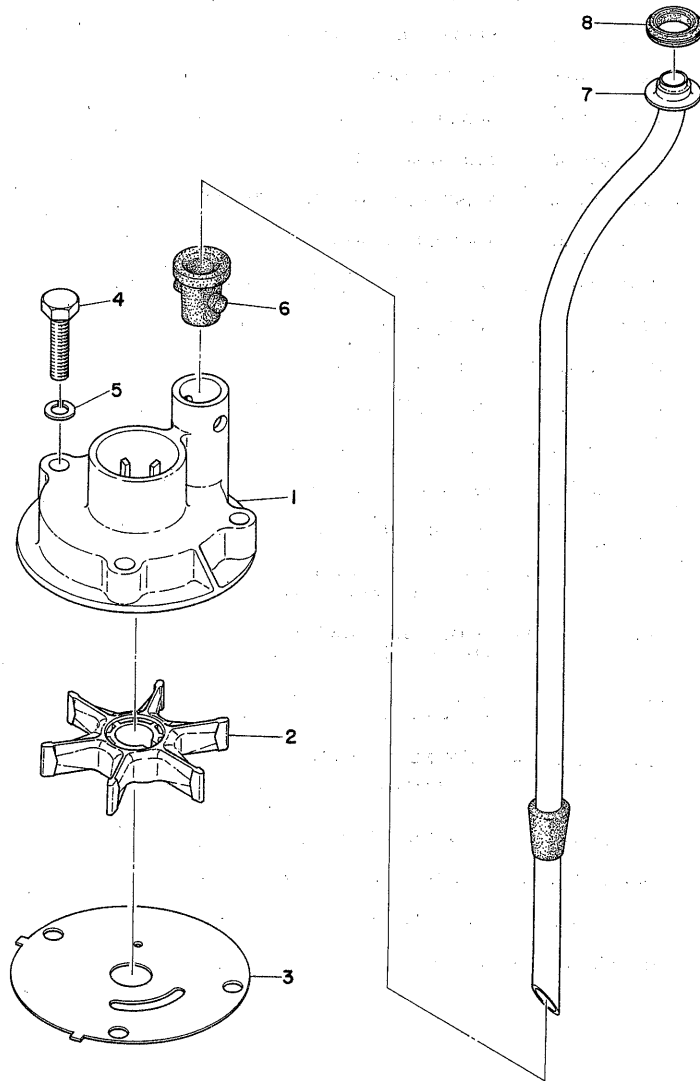
Fig. 7 DRIVE



DRIVE

Ref. No.	Part No.	Description	Q'ty		Applicable Machine No.	Remarks
			'73	'74		
7-21	648-45634-00	SLIDE, shift (3-6.8-10)	1	1		
7-22	648-45636-00	SPRING, shift	1	1		
7-23	648-45611-01	SHAFT, plopeller	1	1		
7-24	648-45615-00	PIN, shear (5.0-37)	1	1		
7-25	648-45576-00	WASHER, thrust 2 (17.4-25-1.5)	1			
	648-45576-01	WASHER, thrust 2	1	1		
7-26	648-45570-00	GEAR ASS'Y 2 (23T)	1			
	648-45570-01	GEAR ASS'Y 2		1		
7-27	648-45577-00-13	SHIM, gear adjust 2 (17-30-1.3)	}	U.R 1		
	648-45577-00-15	SHIM, gear adjust 2 (17-30-1.5)				
	648-45577-00-17	SHIM, gear adjust 2 (17-30-1.7)				
7-28	93306-20301	BEARING, ball (6203)	1	1		
7-29	93101-17054	OIL SEAL (S-17-30-5)	2	2		
7-30	648-45941-01-36	PLOPELLER ASS'Y 1 (9 <sup>1</sup> / <sub>2</sub> x 11 <sup>1</sup> / <sub>2</sub> -D)	1	1		for Light Weight
	653-45941-01-36	PLOPELLER ASS'Y 1 (9 <sup>1</sup> / <sub>4</sub> x 11 <sup>1</sup> / <sub>4</sub> -D)	1	1		S.T.D
	648-45926-01-36	PLOPELLER ASS'Y 8 (9 <sup>3</sup> / <sub>4</sub> x 10-D)	1	1		Weedless White
	626-45943-02-38	PLOPELLER ASS'Y 2 (9 x 10 <sup>2</sup> / <sub>3</sub> -D)	1	1		for Business
	626-45949-01-36	PLOPELLER ASS'Y (9 <sup>1</sup> / <sub>4</sub> x 9-D)	1			White
	650-45941-01-36	PLOPELLER ASS'Y (9 <sup>1</sup> / <sub>4</sub> x 8-D)	1			White
7-31	626-45616-01	NUT, plopeller	1	1		
7-32	91490-30030	PIN, cotter	1	1		

Fig. 8 WATER PUMP

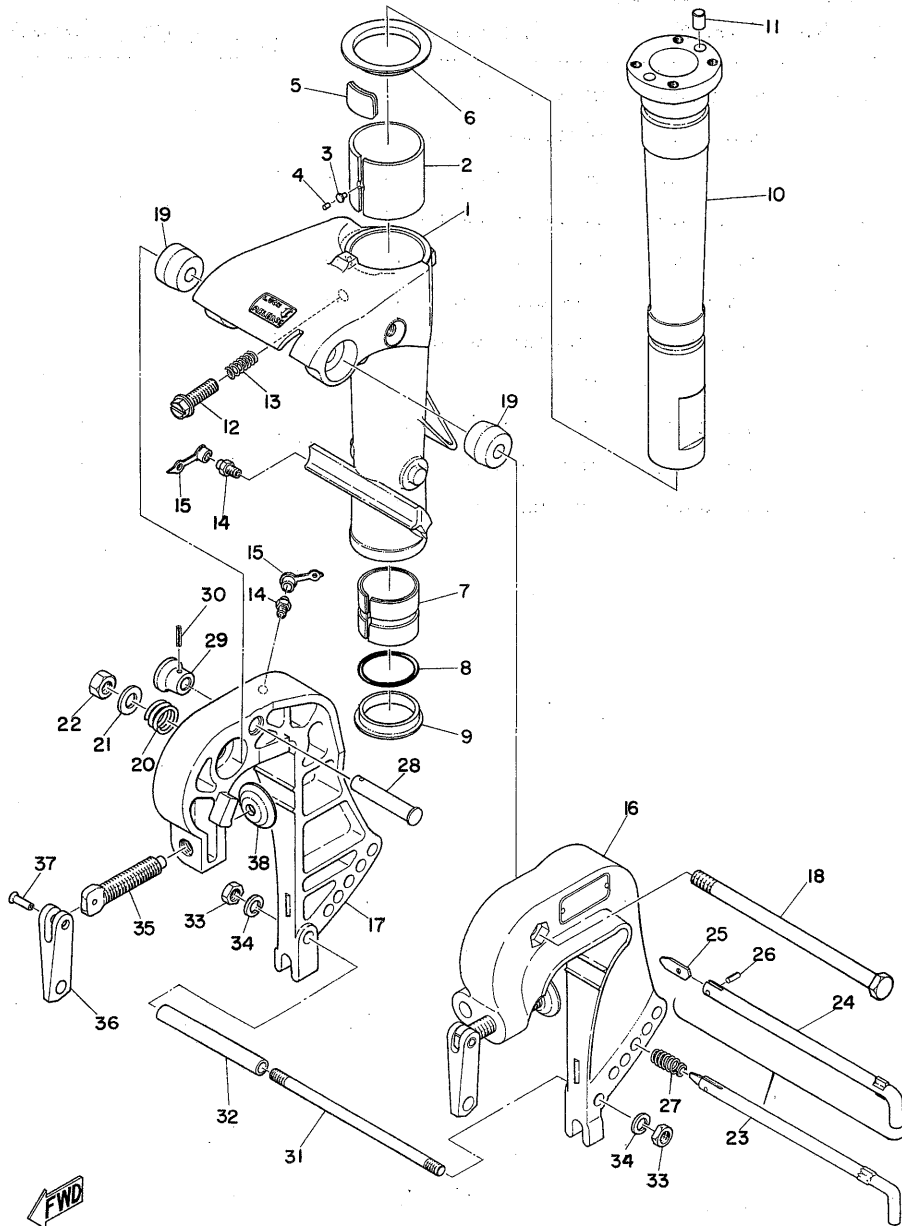


WATER PUMP

Ref. No.	Part No.	Description	Q'ty		Applicable Machine No.	Remarks
			'73	'74		
8- 1	648-44311-00	HOUSING, water pump	1	1		
8- 2	<del>648-44352-01</del> 648-44352-01	IMPELLER	1	1		74501
8- 3	648-44323-00	OUTER PLATE, cartridge	1			
	656-44323-00	OUTER PLATE, cartridge		1		
8- 4	92180-06028	BOLT	3	3		
8- 5	92990-06100	WASHER, spring	3	3		
8- 6	626-44365-00	RUBBER, water seal 1	1	1		
8- 7	648-44361-01	TUBE, water 1	1	1		
	648-44361-11	TUBE, water 1	1	1		L
	648-44361-22	TUBE, water 1	1	1		LL
8- 8	648-44365-01	RUBBER, water seal 1	1	1		



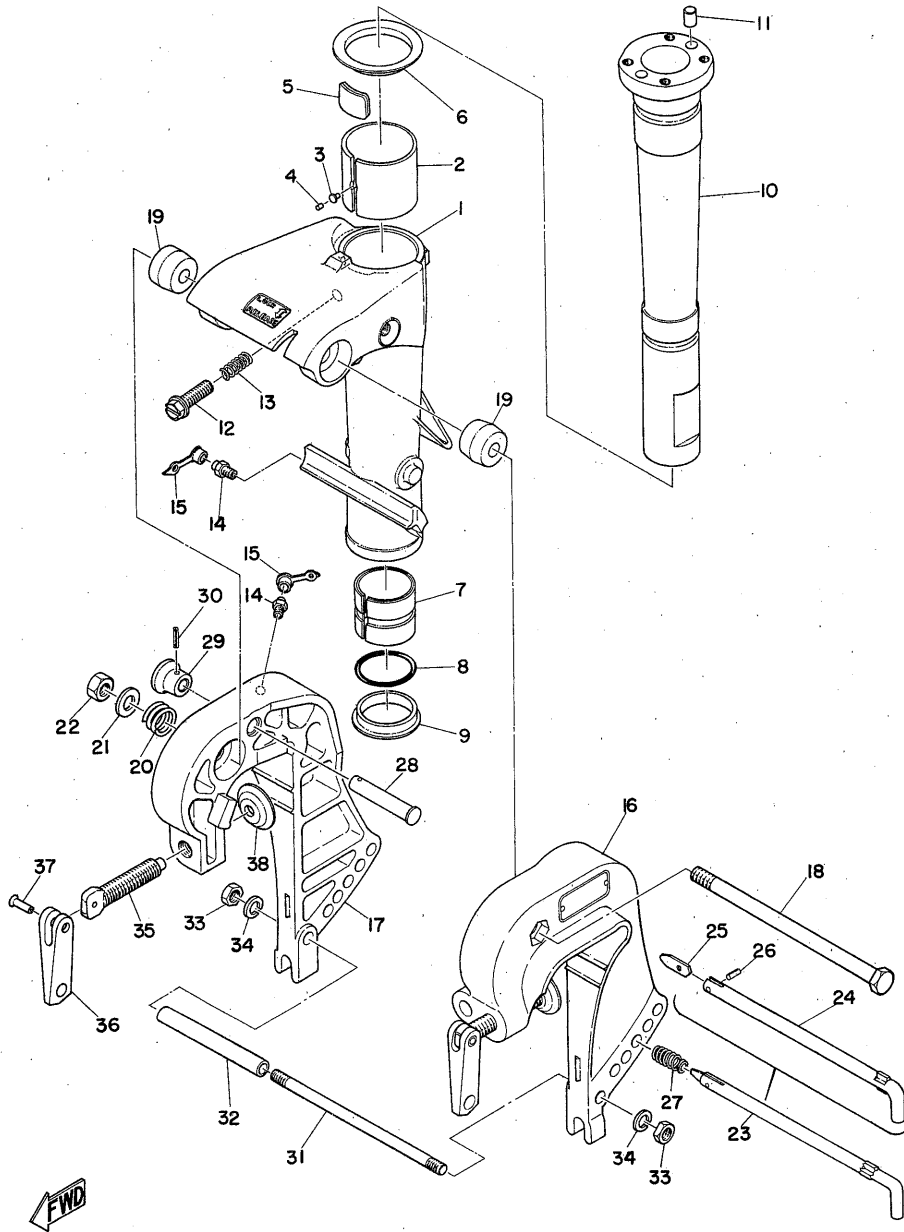
Fig. 9 BRACKET



BRACKET

Ref. No.	Part No.	Description	Q'ty		Applicable Machine No.	Remarks
			'73	'74		
9- 1	648-43311-00-F6	BRACKET, swivel 1	1	1		Metallic Ocean Blue
9- 2	648-42537-00	BUSHING, pivot shaft 1	1	1		
9- 3	626-43336-00	PIN	1	1		
9- 4	626-43396-00	PLUG, blind (3.5-5)	1	1		
9- 5	648-42528-00	PIECE, friction 1	1	1		
9- 6	648-42535-00	WASHER, thrust 1	1	1		
9- 7	648-42538-00	BUSHING, pivot shaft 2	1	1		
9- 8	93210-37160	O-RING (2.5-37)	1	1		
9- 9	648-42539-00	BUSHING, pivot shaft 3	1	1		
9-10	648-42521-01-F6	SHAFT, steering pivot	1	1		Metallic Ocean Blue
9-11	93608-12063	PIN, dowel B	2	2		
9-12	648-42529-00	SCREW, friction piece	1	1		
9-13	648-42524-00	SPRING, friction	1	1		
9-14	93700-06004	NIPPLE, grease	2	2		
9-15	626-45119-00	CAP, grease nipple	2	2		
9-16	648-43111-02-F6	BRACKET, clamp 1	1			Metallic Ocean Blue
	656-43111-00-F6	BRACKET, clamp 1	1	1		Metallic Ocean Blue
9-17	648-43112-02-F6	BRACKET, clamp 2	1			Metallic Ocean Blue
	656-43112-01-F6	BRACKET, clamp 2	1	1		Metallic Ocean Blue
9-18	656-43131-00	BOLT, clamp bracket (10-180)	1	1		
9-19	648-43136-00	PIECE, friction	2	2		
9-20	626-43198-00	SPRING 2	1	1		
9-21	615-43132-00	WASHER, friction (10.5-20-1.5)	1	1		
9-22	92880-10200	NUT	1	1		
9-23	648-43160-00	TILT ROD ASS'Y	1			
	656-43160-00	TILT ROD ASS'Y		1		
9-24	656-43164-00	ROD, tilt lock		1		

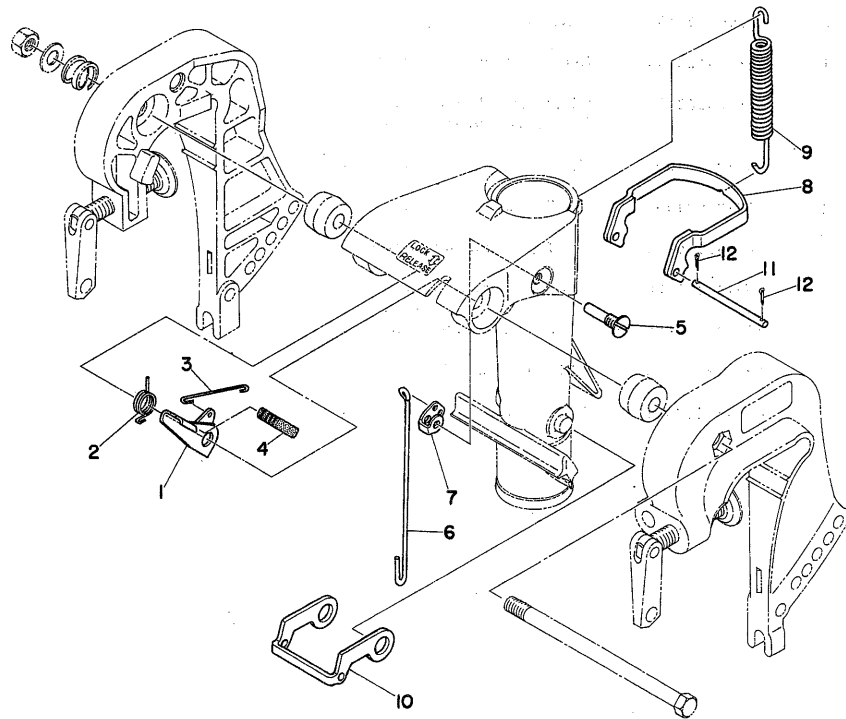
Fig. 9 BRACKET



BRACKET

Ref. No.	Part No.	Description	Q'ty		Applicable Machine No.	Remarks
			'73	'74		
9-25	656-43165-00	. STOPPER, plate tilt lock	....	1		
9-26	91690-30008	. PIN, spring	.....	1		
9-27	611-43162-00	SPRING, tilt lock rod	.....	1	1	
9-28	656-43191-00	SHAFT, stopper	.....	1	1	
9-29	648-43192-00	NOB, stopper	.....	1	1	
9-30	91690-30016	PIN, spring (3-16)	.....	1	1	
9-31	648-43123-00	BOLT, clamp bracket 2	.....	1	1	
9-32	648-43122-00	COLLAR, clamp bracket (9.4-13.8-10.3)	.....	1	1	
9-33	98880-08100	NUT	.....	2	2	
9-34	92990-08100	WASHER, spring	.....	2	2	
9-35	648-43116-00	SCREW, transom clamp	.....	2	2	
	656-43116-00	SCREW, transom clamp	.....	2		
9-36	616-43118-00-F6	HANDLE, transom clamp	....	2	2	Metallic Ocean Blue
9-37	620-43117-00	PIN, transom clamp screw 2	....	2	2	
9-38	648-43114-01	PAD, transom clamp	.....	2	2	

Fig. 10 TILT LOCK

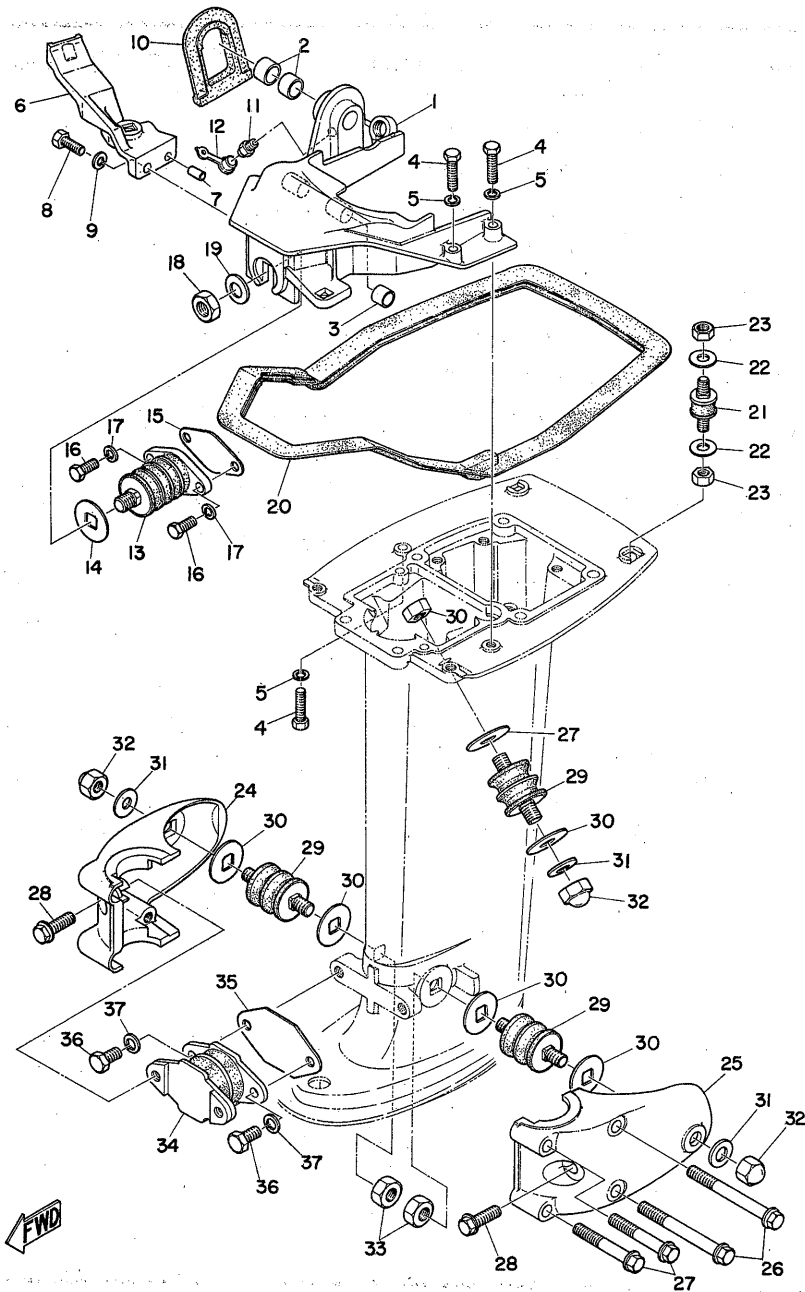


TILT LOCK

Ref. No.	Part No.	Description	Q'ty		Applicable Machine No.	Remarks
			'73	'74		
10- 1	648-43631-00	LEVER, tilt 1	1	1		
10- 2	648-43619-00	SPRING, tension	1	1		
10- 3	648-43616-00	ROD, tilt lock 1	1	1		
10- 4	648-43633-00	COVER, tilt lever 1	1	1		
10- 5	626-43645-00	SCREW, tilt lever	1	1		
10- 6	648-43617-00	ROD, tilt lock 2	1	1		
10- 7	648-43642-00	LEVER, tilt 2	1	1		
10- 8	648-43614-00-F6	PLATE, tilt lock 1	1	1		Metallic Ocean Blue
10- 9	648-43656-00	SPRING, reverse lock	1	1		
10-10	648-43615-00-F6	PLATE, tilt lock 2	1	1		Metallic Ocean Blue
10-11	648-43611-00	SHAFT, tilt lock	1	1		
10-12	91490-16010	PIN, cotter	2	2		



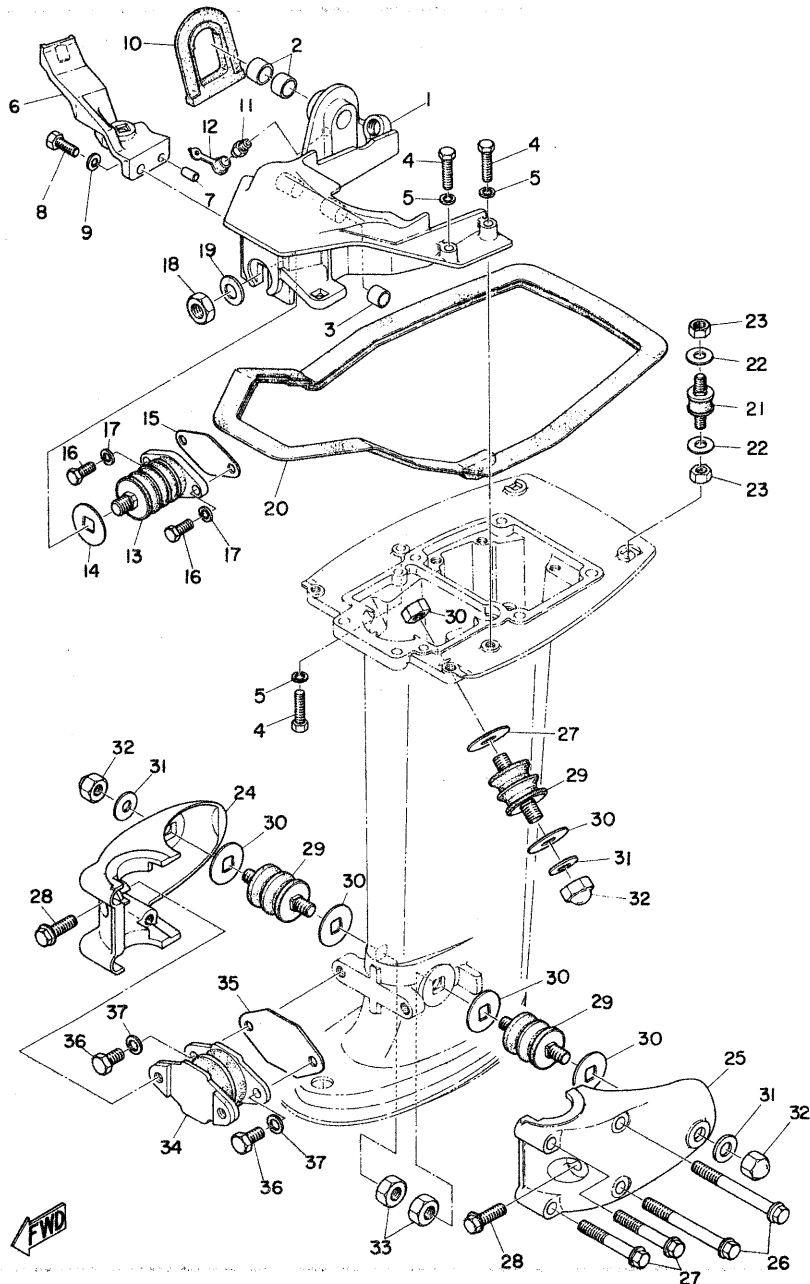
Fig. 11 MOUNTING



MOUNTING

Ref. No.	Part No.	Description	Q'ty		Applicable Machine No.	Remarks
			'73	'74		
11- 1	648-44508-00-F6	BRACKET COMP. ....	1	1		Metallic Ocean Blue
11- 2	648-44122-00	. BUSHING, shift rod lever 2 ...	2	2		
11- 3	648-44185-00	. BUSHING 1 .....	4	2		
11- 4	91280-06025	BOLT .....	4	4		
11- 5	92990-06100	WASHER, spring .....	4	4		
11- 6	648-44519-00-F6	BRACKET 2 .....	1	1		Metallic Ocean Blue
11- 7	93606-12019	PIN, dowel .....	1	1		
11- 8	91280-06015	BOLT .....	1			
	91280-06018	BOLT .....		1		
11- 9	92990-06100	WASHER, spring .....	1	1		
11-10	648-42718-00	RUBBER, seal 3 .....	1	1		
11-11	93700-06004	NIPPLE, grease .....	1	1		
11-12	626-45119-00	CAP, grease nipple .....	1	1		
11-13	648-44516-01	MOUNT RUBBER, upper front ..	1			
	648-44516-02	MOUNT RUBBER, upper front ..		1		
11-14	648-44591-00	GASKET, mount rubber 1 .....		1		
11-15	648-44592-00	GASKET, mount rubber 2 .....		1		
11-16	91280-06015	BOLT .....	2	2		
11-17	92990-06100	WASHER, spring .....	2	2		
11-18	92880-10200	NUT .....	1	1		
11-19	92990-10200	WASHER, plain .....	1	1		
11-20	648-42716-00	RUBBER, seal 1 .....	1	1		
11-21	648-44517-00	MOUNT RUBBER, upper .....	4	4		
11-22	92990-08200	WASHER, plain .....	8	8		
11-23	98880-08300	NUT .....	8	8		
11-24	648-44551-01-F6	HOUSING, lower mount rubber 1	1	1		Metallic Ocean Blue
11-25	648-44552-01-F6	HOUSING, lower mount rubber 2	1	1		Metallic Ocean Blue
11-26	97470-08080	BOLT .....	2	2		

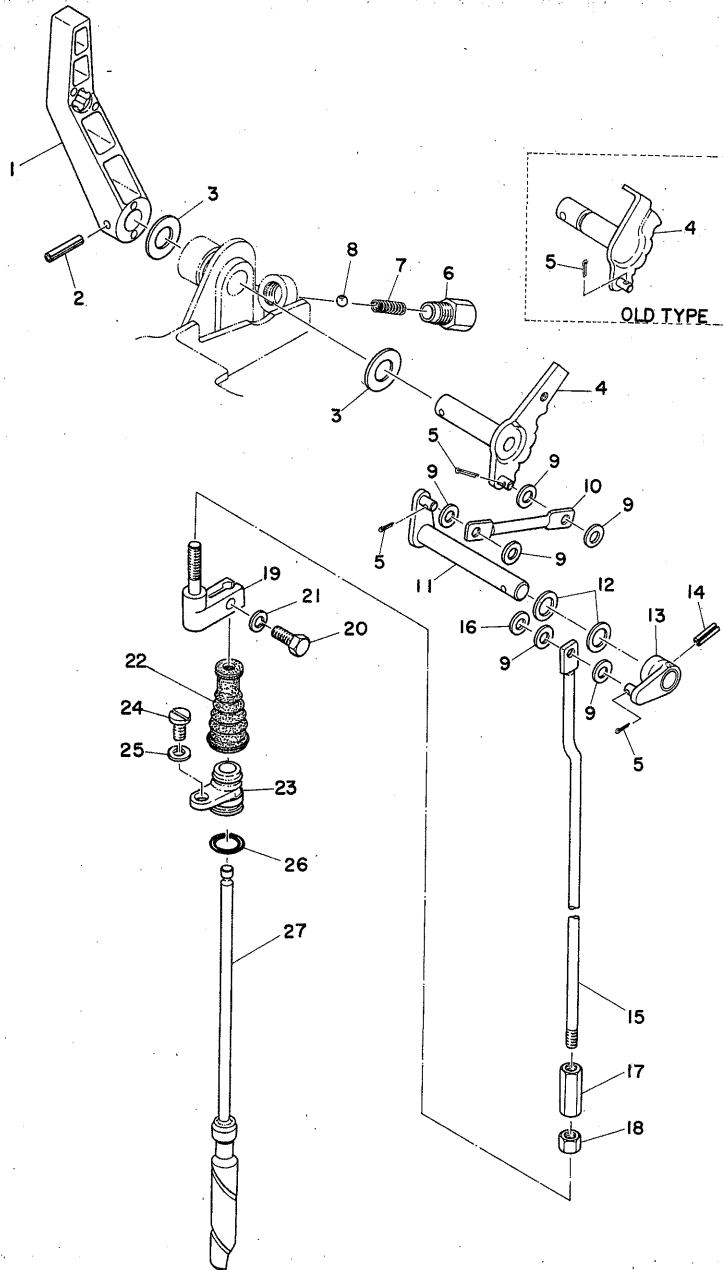
Fig. 11 MOUNTING



MOUNTING

Ref. No.	Part No.	Description	Q'ty		Applicable Machine No.	Remarks
			'73	'74		
11-27	97490-08050	BOLT		2		
	97470-08055	BOLT		2		
11-28	97470-08020	BOLT	2	2		
11-29	648-44555-01	MOUNT RUBBER, lower side...	4			
	648-44555-02	MOUNT RUBBER, lower side...		4		
11-30	648-44591-00	GASKET, mount rubber 1	8			
11-31	92990-10200	WASHER, plain	4	4		
11-32	98880-10700	NUT, crown	4	4		
11-33	92880-10200	NUT	4	4		
11-34	648-44557-01	MOUNT RUBBER, lower front ..	1			
	648-44557-03	MOUNT RUBBER, lower front ..		1		
11-35	648-44593-00	GASKET, mount rubber 3	1			
11-36	97280-08015	BOLT	2	2		
11-37	92990-08100	WASHER, spring	2	2		

Fig. 12. GEAR SHIFT



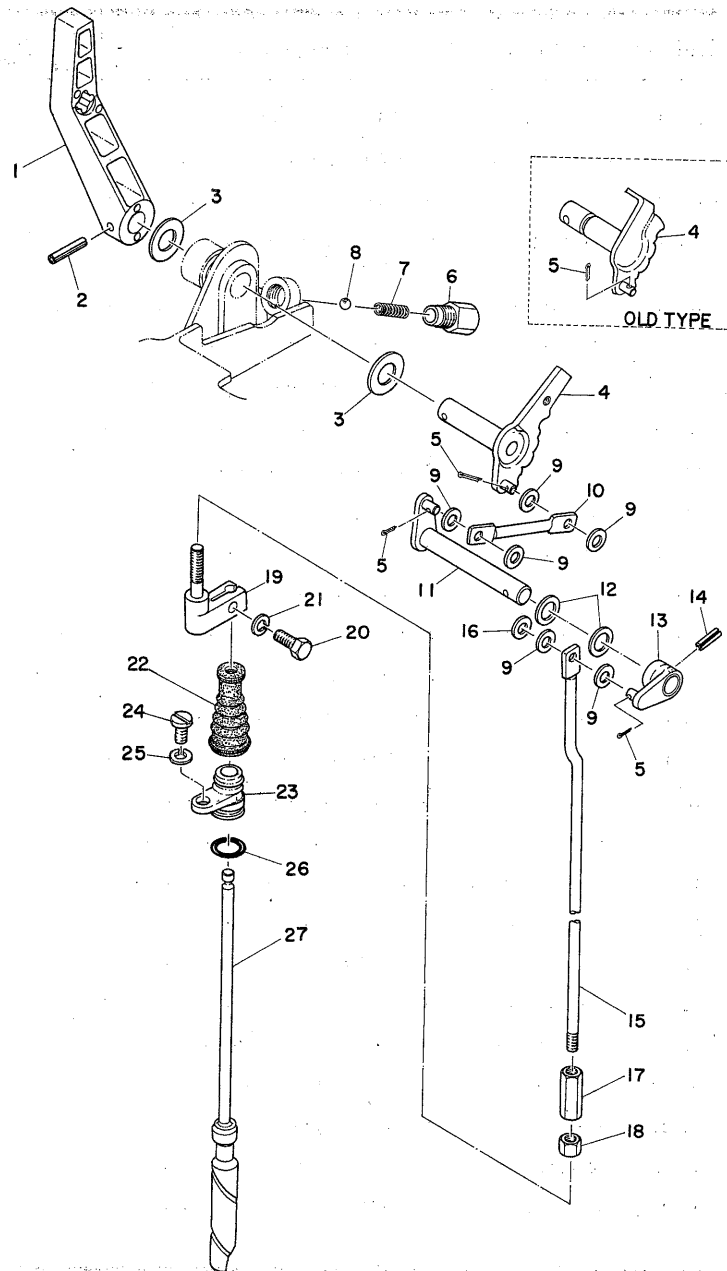
GEAR SHIFT

Ref. No.	Part No.	Description	Q'ty		Applicable Machine No.	Remarks
			'73	'74		
12- 1	648-44111-00-F6	HANDLE, gear shift	1			Metallic Ocean Blue
	656-44111-00-F6	HANDLE, gear shift	1	1		Metallic Ocean Blue
12- 2	91690-40022	PIN, spring	1	1		
12- 3	648-44126-00	WASHER, shift rod lever (12.2-24-1.0)	2	2		
12- 4	648-44113-00	CAM, plate handle	1			
	648-44113-01	CAM, plate handle	1			
	656-44113-00	CAM, plate handle	1			
12- 5	91490-16010	PIN, cotter	3	3		
12- 6	648-42715-00	BUSHING 2	1	1		
12- 7	648-44116-00	SPRING	1	1		
12- 8	93501-04011	BALL (1/4 inch)	1	1		
12- 9	626-44188-01	WASHER	6	6		
12-10	648-44142-00	JOINT	1			
	648-44142-01	JOINT	1	1		
12-11	648-44121-00	LEVER, shift rod 1	1	1		
12-12	648-44188-00	WASHER (10.2-16-1.0)	2	2		
12-13	648-44125-00	LEVER, shift rod 2	1	1		
12-14	91690-40016	PIN, spring (4-16)	1	1		
12-15	648-44143-00	ROD, shift 1	1	1		
12-16	92990-05200	WASHER, plain	1	1		
12-17	648-44146-00	CONNECTOR, shift rod 2	1	1		
12-18	648-44128-00	NUT 2	1	1		
12-19	648-44145-00	CONNECTOR, shift rod 1	1	1		
12-20	91280-06015	BOLT	1	1		
12-21	92990-06100	WASHER, spring	1	1		
12-22	647-44147-00	BOOT, shift rod	1	1		
12-23	650-44152-01	BUSHING, shift cam	1	1		





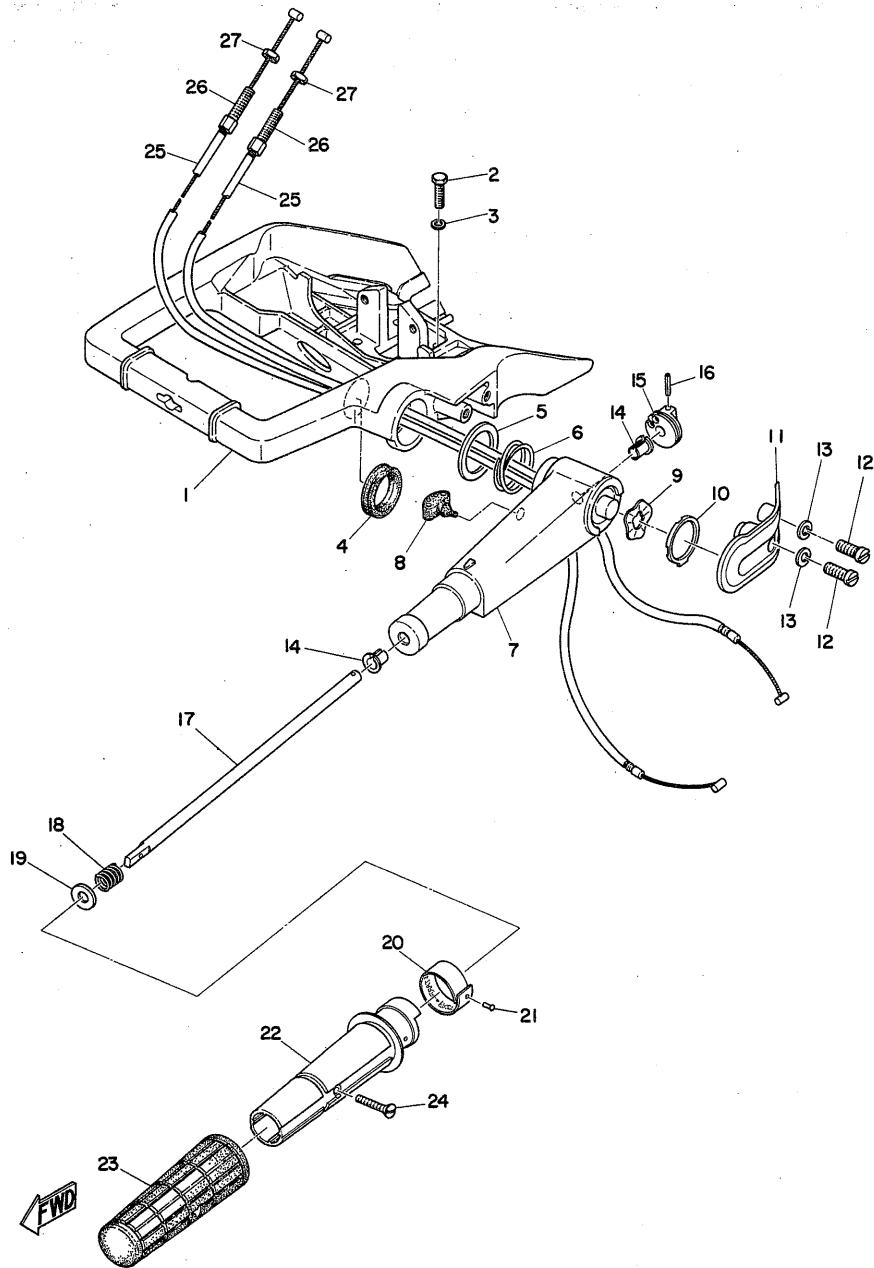
Fig. 12 GEAR SHIFT



GEAR SHIFT

Ref. No.	Part No.	Description	Q'ty		Applicable Machine No.	Remarks
			'73	'74		
12-24	92390-06012	SCREW, cylinderhead	1	1		
12-25	92990-06200	WASHER, plain	1	1		
12-26	93210-14104	O-RING (2.4-13.8)	1	1		
12-27	648-44150-00	SHIFT CAM ASS'Y	1	1		
	648-44150-10	SHIFT CAM ASS'Y	1	1		L
	648-44150-20	SHIFT CAM ASS'Y	1	1		LL

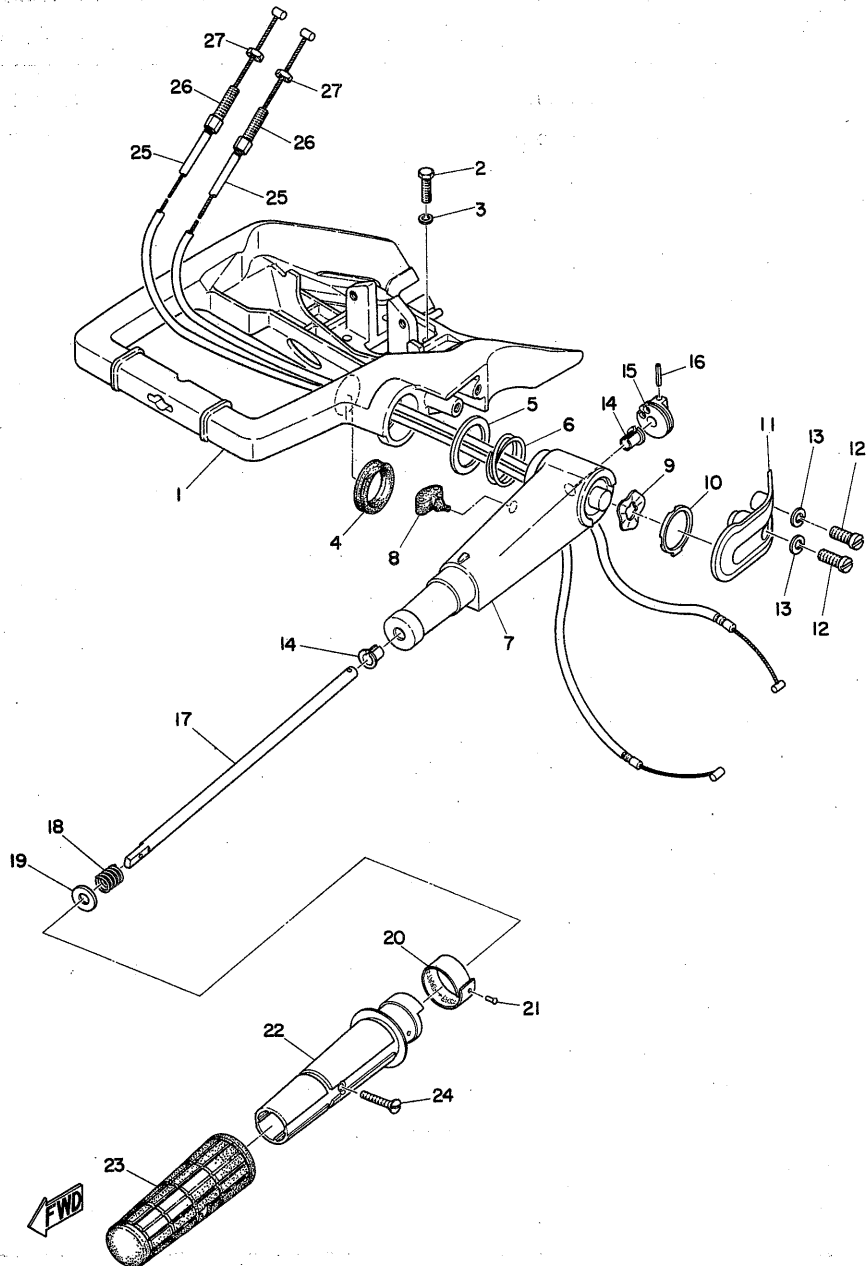
Fig. 13 HANDLE



HANDLE

Ref. No.	Part No.	Description	Q'ty		Applicable Machine No.	Remarks
			'73	'74		
13- 1	648-42511-00-F6	BRACKET, steering	1			Metallic Ocean Blue
	656-42511-00-F6	BRACKET, steering		1		Metallic Ocean Blue
13- 2	91280-06020	BOLT	4	4		
13- 3	92990-06100	WASHER, spring	4	4		
13- 4	648-42551-00	GROMMET 1	1	1		
13- 5	90202-34043	SPACER, handle 2	1	1		
13- 6	90501-20001	SPRING, compression	1	1		
13- 7	648-42111-00-F6	HANDLE, steering 1	1			Metallic Ocean Blue
	656-42111-00-F6	HANDLE, steering 1	1	1		Metallic Ocean Blue
13- 8	606-42591-00	HOLDER, shear pin	1	1		
13- 9	648-42188-00	WASHER, wave	1	1		
13-10	656-42155-00	SPACER, handle 1	1	1		
13-11	648-42112-00-F6	HANDLE, steering 2	1	1		Metallic Ocean Blue
13-12	92380-06020	SCREW, cylinderhead	2	2		
13-13	92990-06100	WASHER, spring	2	2		
13-14	610-41292-00	BUSHING 2		2		
	90386-08032	BUSHING		2		
13-15	648-42138-00	LEVER, throttle	1	1		
13-16	91690-30025	PIN, spring (3.0-12)	1	1		
13-17	648-42115-00	SHAFT, steering handle 1	1	1		
13-18	647-42147-00	SPRING	1			
	90501-23215	SPRING, compression		1		
13-19	92990-08200	WASHER, plain	1	1		
13-20	647-42137-01	INDICATOR, throttle	1	1		
13-21	604-42179-00	RIVET	1	1		
13-22	647-42119-01	GRIP, steering handle	1	1		
13-23	647-42177-00	RUBBER, handle 1	1	1		
13-24	98180-05025	SCREW, ovelhead	1	1		

Fig. 13 HANDLE

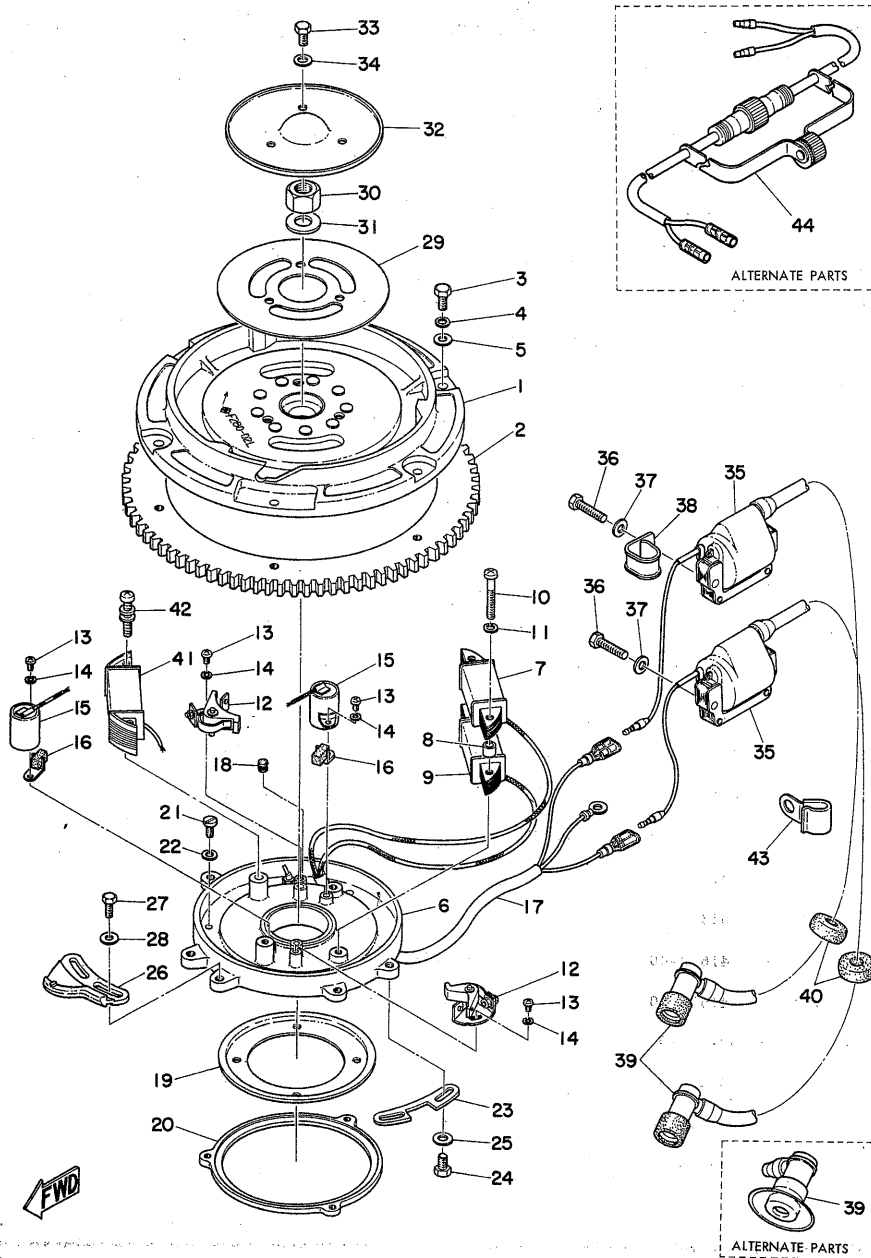


HANDLE

Ref. No.	Part No.	Description	Q'ty		Applicable Machine No.	Remarks
			'73	'74		
13-25	648-26311-01	WIRE, throttle	2	2		
13-26	648-26317-00	ADJUSTER, cable	2	2		
13-27	648-26319-00	NUT, cable guide	2	2		



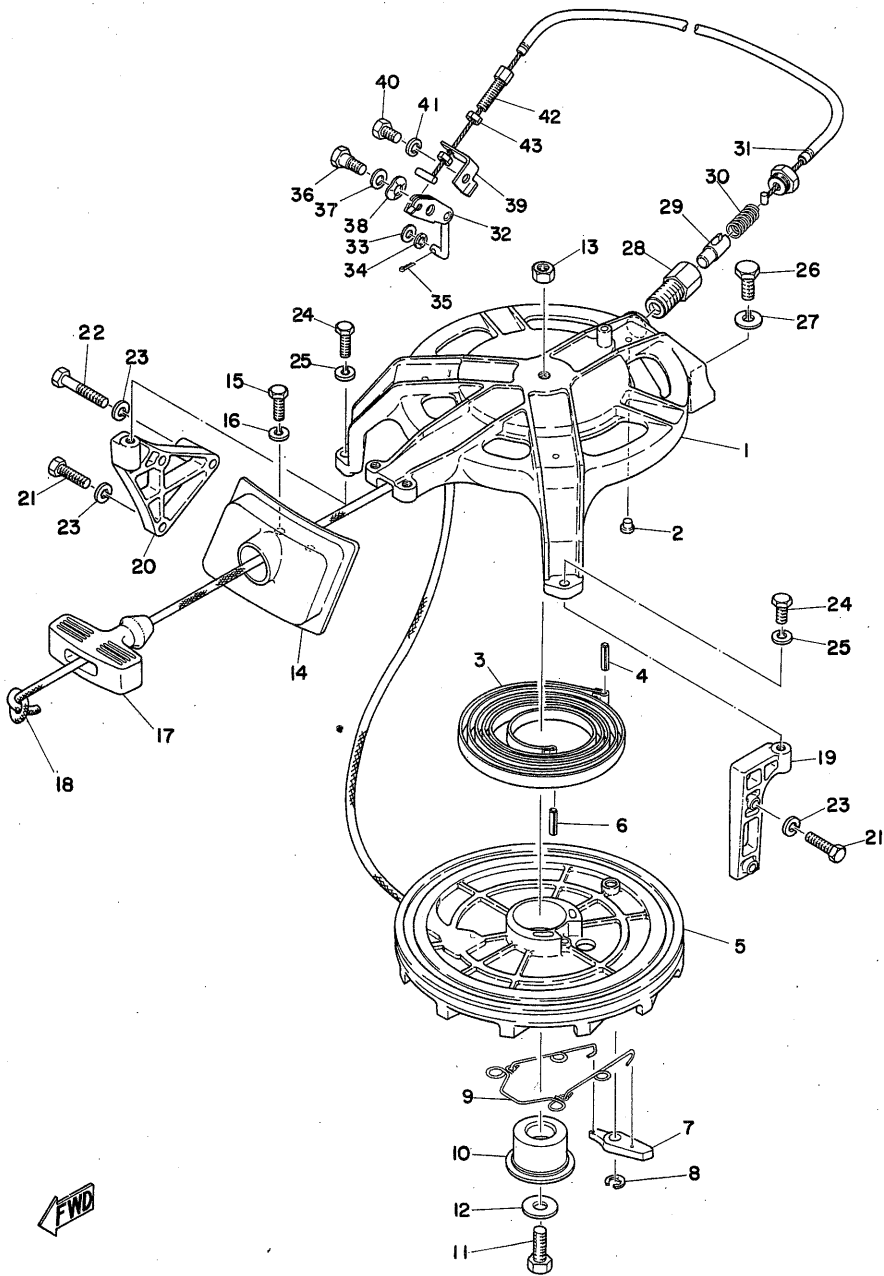
Fig. 14 FLYWHEEL MAGNETO



FLYWHEEL MAGNETO

Ref.No.	Part No.	Description	Q'ty		Applicable Machine No.	Remarks
			'73	'74		
14-26	648-41213-00	CAM, accel .....	1	1		
14-27	97203-05012	BOLT .....	2	2		
14-28	92903-05200	WASHER, plain .....	2	2		
14-29	648-81365-00	PACKING .....	1	1		
14-30	648-11555-00	NUT, crank shaft 1 .....	1	1		
14-31	214-11557-01	WASHER 1 .....	1			
	648-11557-00	WASHER 1 .....		1		
14-32	648-81362-00	COVER, hole .....	1	1		
14-33	91203-06012	BOLT .....	3	3		
14-34	92903-06200	WASHER, plain .....	3	3		
14-35	647-82310-10	IGNITION COIL ASS'Y 1 .....	2			
	648-82310-10	IGNITION COIL ASS'Y .....	2			
	655-82310-10	IGNITION COIL ASS'Y .....		2		
14-36	91203-06025	BOLT .....	4			
	91203-06030	BOLT .....	4			
14-37	92903-06100	WASHER, spring .....	4			
	92903-06200	WASHER, plain .....	4			
14-38	90485-06038 648-82361-01	CLAMP, cord .....	1	1		7850/
14-39	624-82370-00	PLUG CAP ASS'Y .....	2	2		
	650-82370-00	PLUG CAP ASS'Y .....	2	2		Alternate Parts
14-40	648-82355-00	GROMMET .....	2			
	656-82355-00	GROMMET .....	2	2		
14-41	647-81313-41	COIL, lighting .....	1	1		Alternate Parts
14-42	647-81324-10	SCREW (5-30) .....	2	2		Alternate Parts
14-43	656-82361-00	CLAMP, cord .....	1			
14-44	616-84380-30	CONCENT 2P ASS'Y .....	1			Alternate Parts

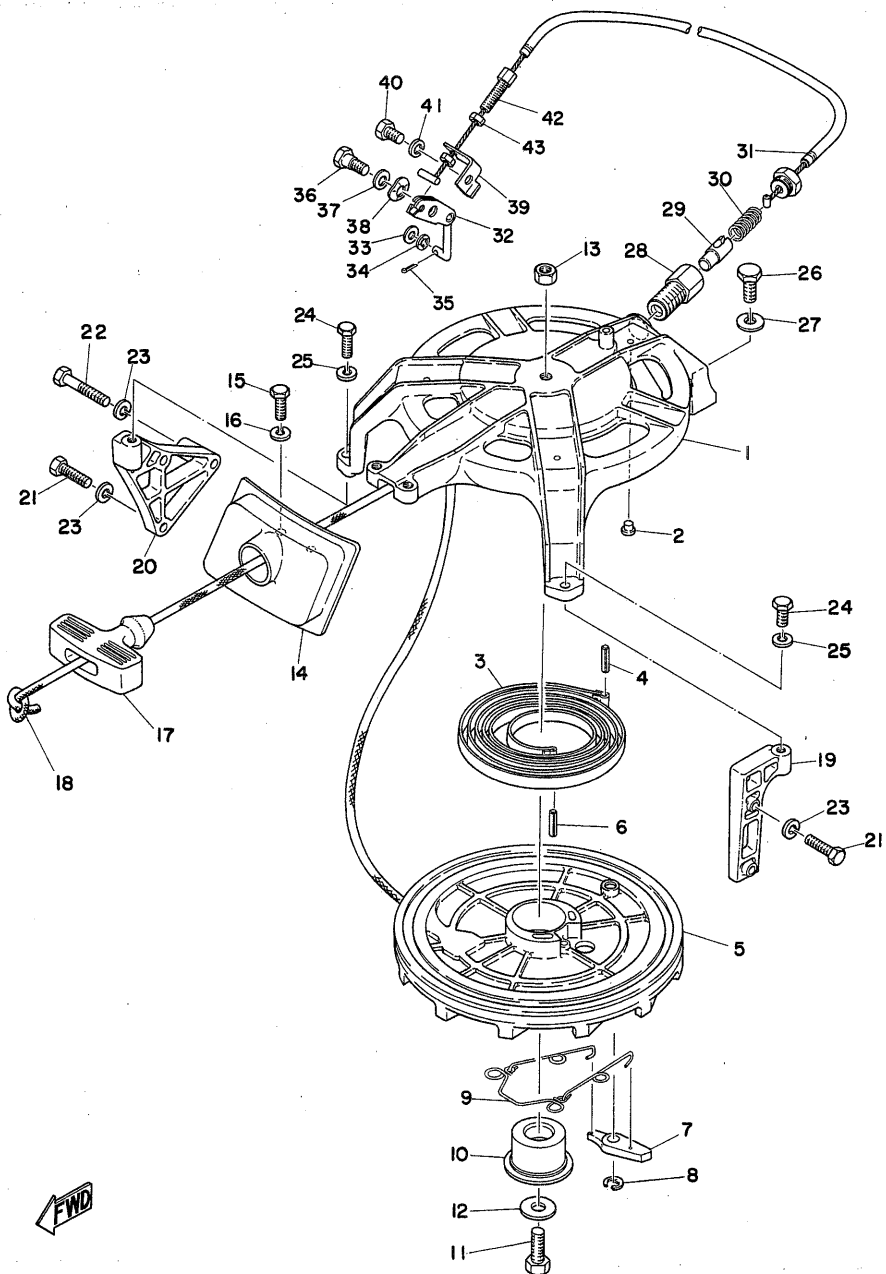
Fig. 15 STARTER



STARTER

Ref.No.	Part No.	Description	Q'ty		Applicable Machine No.	Remarks
			'73	'74		
15- 0-1	648-15710-01	STARTER ASS'Y	1			
	656-15710-00	STARTER ASS'Y	1			
	656-15710-01	STARTER ASS'Y		1		
15- 1	648-15711-00-73	. CASE, starter	1			
	656-15711-00	. CASE, starter		1		
15- 2	648-15773-00	. STAY 3	3	6		
15- 3	656-15713-00	. SPRING, starter	1	1		
15- 4	91690-40016	. PIN, spring	1	1		
15- 5	648-15714-00-94	. DRUM, sheave	1			
	656-15714-00	. DRUM, sheave		1		
15- 6	91690-40020	. PIN, spring	1	1		
15- 7	648-15741-01	. PAWL, drive	1	1		
15- 8	93430-06005	. CIRCLIP (E-6)	1	1		
15- 9	648-15705-00	. SPRING DRIVE PAWL ASS'Y	1			
	656-15705-00	. SPRING DRIVE PAWL ASS'Y		1		
15-10	648-15717-00	. SHAFT	1	1		
15-11	97203-08025	. BOLT	1	1		
15-12	647-42548-00	. WASHER	1	1		
15-13	98803-08200	. NUT	1	1		
15-14	648-15758-00-F6	. GUIDE, wire	1	1		Metallic Ocean Blue
15-15	91203-06015	. BOLT	2	2		
15-16	92903-06100	. WASHER, spring	2	2		
15-17	619-15755-01	. HANDLE, starter	1	1		
15-18	648-15751-00	. WIRE	1	1		
15-19	648-15771-00-94	STAY 1	1	1		
15-20	648-15772-00-94	STAY 2	1	1		
15-21	91203-06025	BOLT	4	4		
15-22	91203-06040	BOLT	1	1		

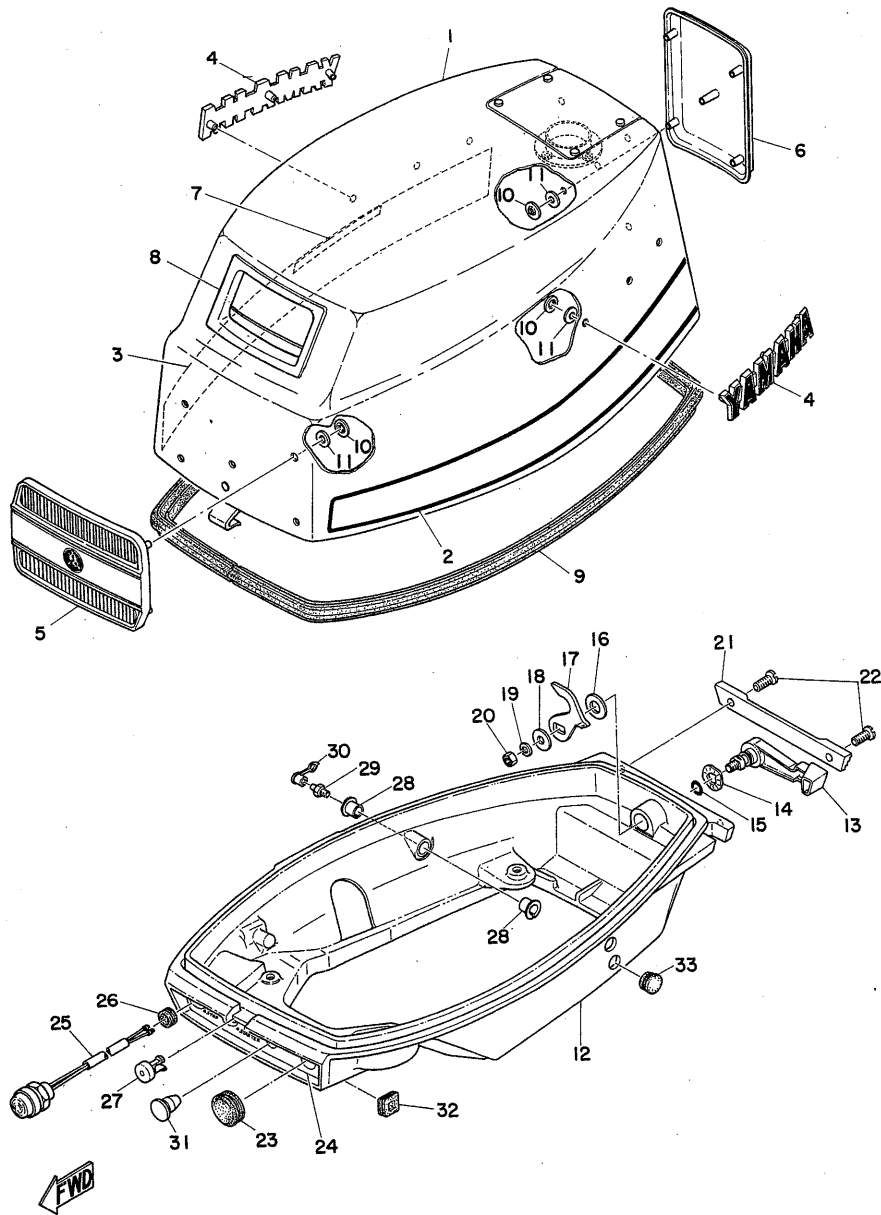
Fig. 15 STARTER



STARTER

Ref. No.	Part No.	Description	Q'ty		Applicable Machine No.	Remarks
			'73	'74		
15-23	92903-06100	WASHER, spring	5	5		
15-24	91203-06020	BOLT	2	2		
15-25	92903-06100	WASHER, spring	2	2		
15-26	97203-08020	BOLT	1	1		
15-27	92903-08100	WASHER, spring	1	1		
15-28	656-15777-00	HOLDER, plunger	1			
15-29	656-15748-00	PLUNGER, starter stop	1			
15-30	90501-10227	SPRING, compression	1			
15-31	656-15770-00	WIRE COMP., starter stop	1			
15-32	656-15749-00	LINK COMP., starter stop	1			
15-33	92903-05200	WASHER, plain	1			
15-34	90206-05005	WASHER, wave	1			
15-35	91490-12010	PIN, cotter	1			
15-36	90109-06258	BOLT	1			
15-37	92930-06200	WASHER, plain	1			
15-38	90206-08100	WASHER, wave	1			
15-39	656-15774-00	STAY 4	1			
15-40	91203-06012	BOLT	1			
15-41	92903-06100	WASHER, spring	1			
15-42	90123-06049	BOLT, wire adjusting	1			
15-43	98803-06200	NUT	2			

Fig.16 COWLING

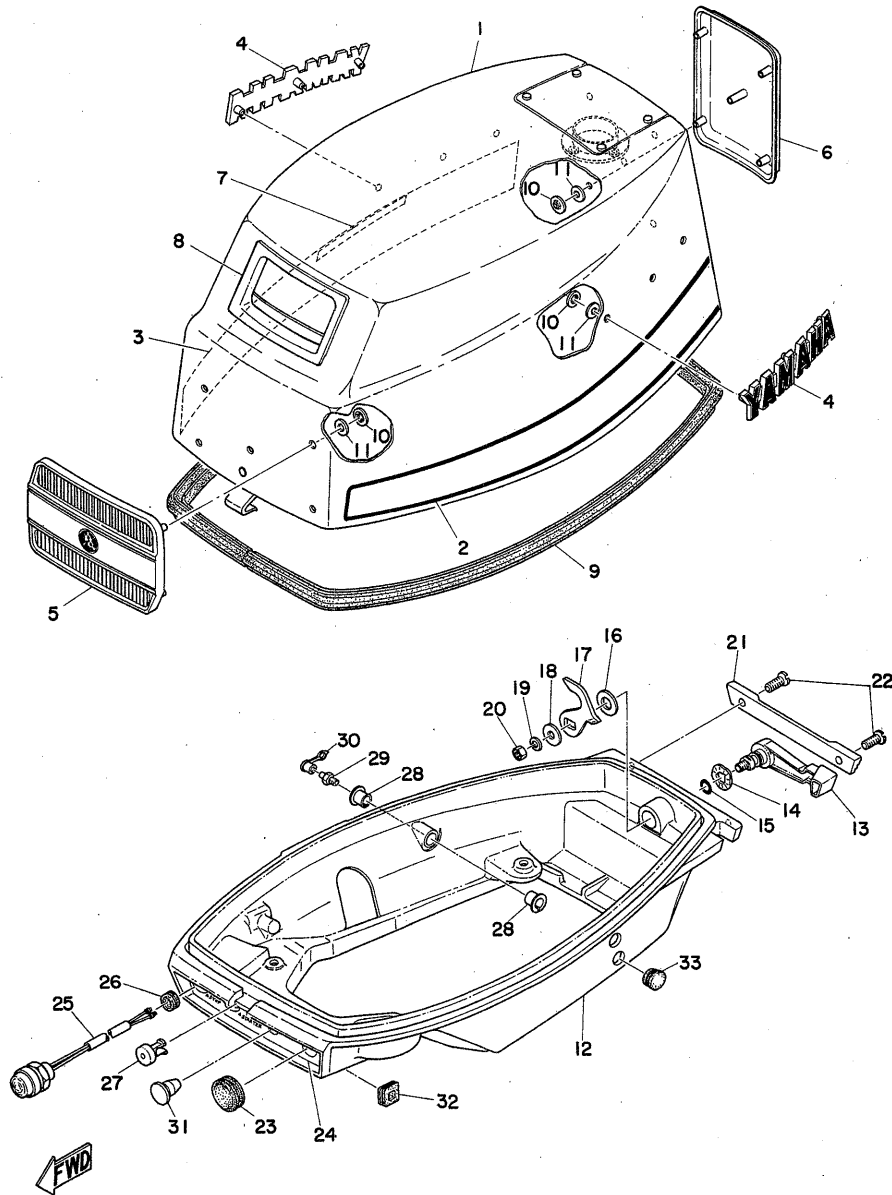


COWLING

Ref.No.	Part No.	Description	Q'ty		Applicable Machine No.	Remarks
			'73	'74		
16- 1	648-42610-01-F6	TOP COWLING ASS'Y	1			Metallic Ocean Blue
	656-42610-60-F6	TOP COWLING ASS'Y	1			Metallic Ocean Blue
	656-42610-61-F6	TOP COWLING ASS'Y	1			Metallic Ocean Blue
16- 2	648-42676-02	. GRAPHIC, side 2	1			
	648-42676-0	. GRAPHIC, side 2	1	1		
16- 3	648-42675-02	. GRAPHIC, side 1	1			
	648-42675-01	. GRAPHIC, side 1	1	1		
16- 4	650-42681-00	. MARK, cowlng 1	2	2		
16- 5	648-42686-00	. EMBLEM, front	1	1		
16- 6	648-42687-00	. EMBLEM, rear	1	1		
16- 7	648-44191-01	. INDICATOR, shift	1	1		
16- 8	648-15761-00	. SEAL, rubber 1	1	1		
16- 9	648-42615-00	. SEAL	1	1		
16-10	650-42691-00	. NUT, speed 1	16	16		
16-11	650-42693-00	. DAMPER, emblem 1	16	16		
16-12	648-42710-01-F6	BOTTOM COWLING COMP.	1			Metallic Ocean Blue
	656-42710-00-F6	BOTTOM COWLING COMP.	1	1		Metallic Ocean Blue
16-13	648-42815-00-F6	LEVER, clamp 1	1	1		Metallic Ocean Blue
16-14	626-42832-00	WASHER, wave	1			
	648-42832-00	WASHER, wave	1			
16-15	93210-10107	O-RING (1.9-9.8)	1	1		
16-16	626-42833-00	WASHER, plain (13.5-22-0.5)...	1			
	648-42833-00	WASHER, plain	1			
16-17	648-42816-00	LEVER, clamp 2	1	1		
16-18	620-24576-00	WASHER (6.5-20-2.0)	1	1		
16-19	92990-06100	WASHER, spring	1	1		
16-20	98803-06300	NUT	1	1		
16-21	648-42761-00	STOPPER 1	1	1		



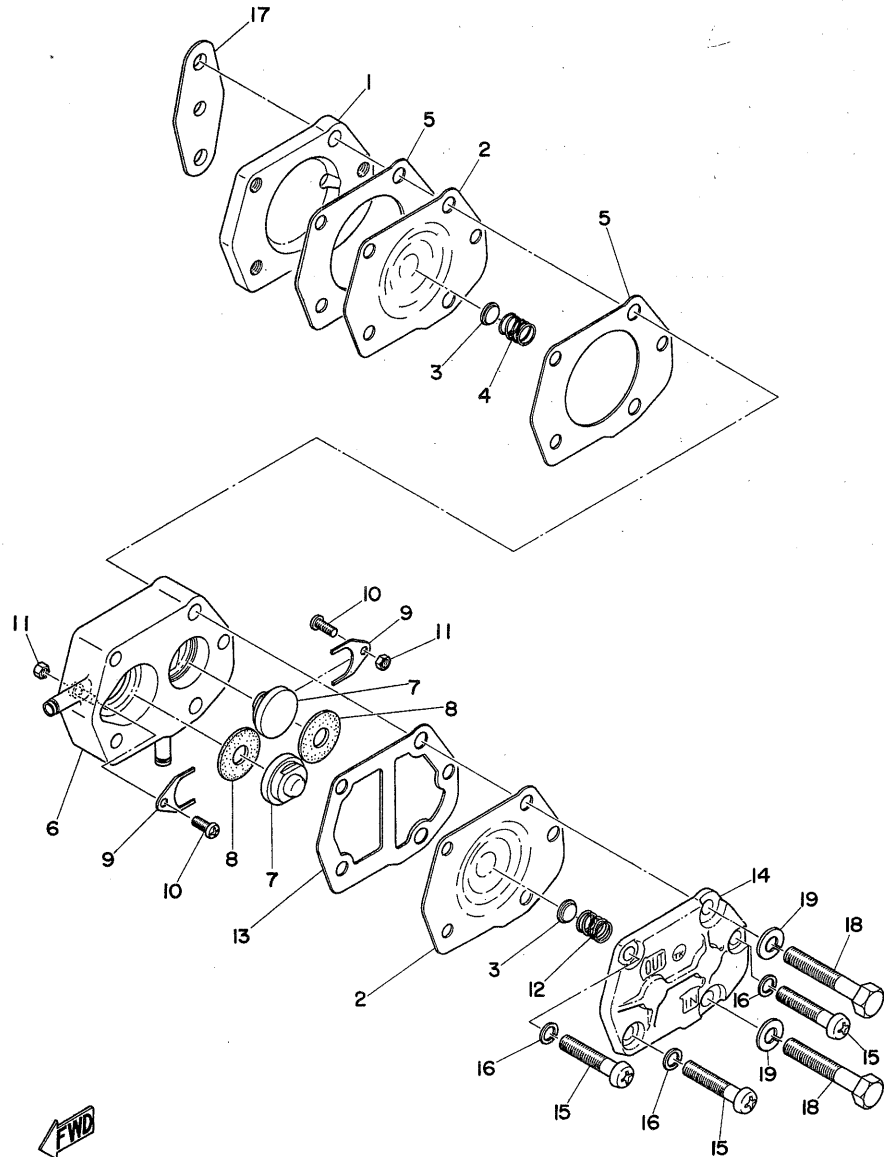
Fig. 16 COWLING



COWLING

Ref.No.	Part No.	Description	Q'ty		Applicable Machine No.	Remarks
			'73	'74		
16-22	92280-06012	SCREW, flathead	2	2		
16-23	648-42724-00	GROMMET 1	1	1		
16-24	648-42791-01	MARK 1	1	1		
16-25	648-82550-01	STOP SWITCH ASS'Y	1	1		
16-26	700-48176-10	GROMMET	1	1		
16-27	648-41292-01	BUSHING 2	1	1		
16-28	648-44186-00	BUSHING 2	2	2		
16-29	93700-06004	NIPPLE, grease	1	1		
16-30	626-45119-00	CAP, grease nipple	1	1		
16-31	648-42727-00	GROMMET 4	1	1		
16-32	648-42726-00	GROMMET 3	1	1		
16-33	612-42724-00	GROMMET 1	4	4		

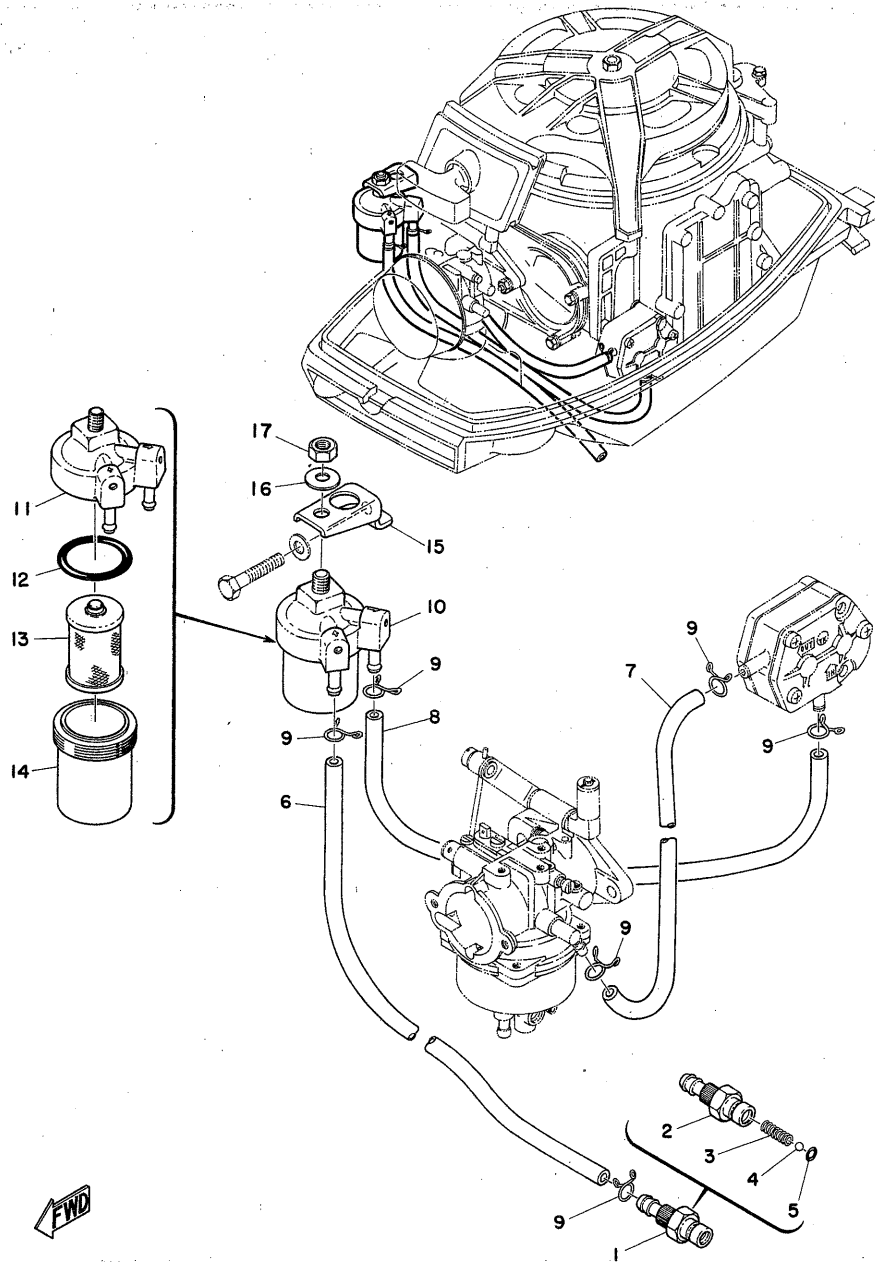
Fig. 17 FUEL PUMP



FUEL PUMP

Ref. No.	Part No.	Description	Q'ty		Applicable Machine No.	Remarks
			'73	'74		
17- 0-1	648-24410-01	FUEL PUMP ASS'Y	1	1		
17- 1	648-24414-00	. BASE, pump	1	1		
17- 2	648-24411-00	. DIAPHRAGM, pump	2	2		
17- 3	648-24424-00	. PLATE, spring guide	2	2		
17- 4	648-24423-00	. SPRING, pump diaphragm	1	1		
17- 5	648-24434-00	. GASKET, body 1	2	2		
17- 6	648-24412-00	. BODY, pump	1	1		
17- 7	648-24421-00	. VALVE SUB-ASS'Y	2	2		
17- 8	648-24431-00	. GASKET	2	2		
17- 9	648-24422-01	. SET PLATE	2	2		
17-10	98503-03008	. SCREW, panhead	2	2		
17-11	98801-03100	. NUT	2	2		
17-12	648-24454-00	. SPRING	1	1		
17-13	648-24435-01	. GASKET, body 2	1	1		
17-14	648-24413-01	. COVER, pump	1	1		
17-15	98503-05030	. SCREW, panhead	3	3		
17-16	92990-05100	. WASHER, spring	3	3		
17-17	801-24431-00	GASKET, fuel pump	1			
	650-24431-00	GASKET, fuel pump		1		
17-18	91203-06037	BOLT	2	2		
17-19	92903-06100	WASHER, spring	2	2		

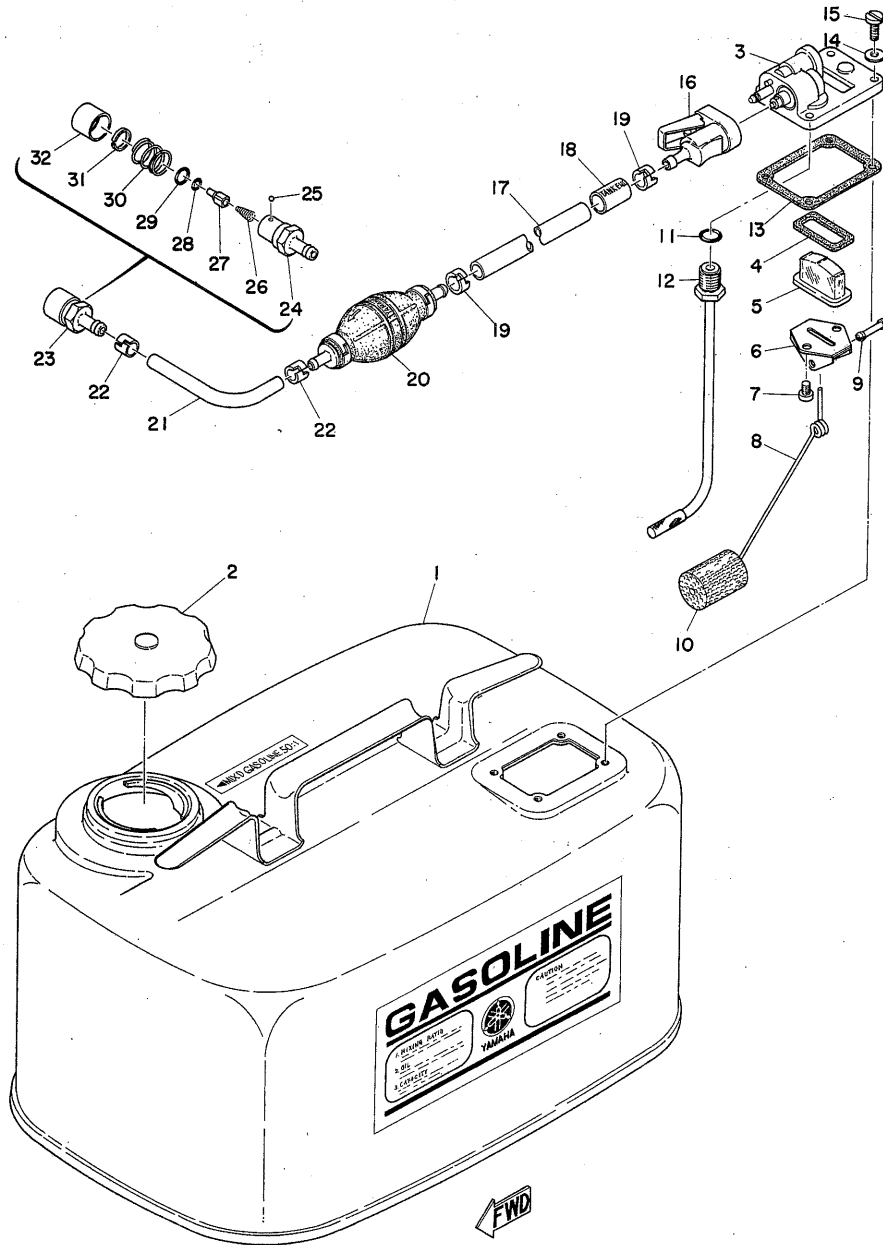
Fig. 18. PIPING



PIPING

Ref. No.	Part No.	Description	Q'ty		Applicable Machine No.	Remarks
			'73	'74		
18- 1	644-24304-50	FUEL PIPE JOINT COMP. 1 ...	1	1		
18- 2	644-24372-50	. JOINT .....	1	1		
18- 3	644-24393-50	. SPRING 1 .....	1	1		
18- 4	93507-32009	. BALL (7/23 inch) .....	1	1		
18- 5	93210-05137	. O-RING (2.2-4.8) .....	1	1		
18- 6	648-24311-00	PIPE 1 .....	1	1		
18- 7	648-24312-01	PIPE 2 .....	1	1		
18- 8	648-24313-00	PIPE 3 .....	1	1		
18- 9	648-24356-00	CLIP, pipe 1 .....	6	6		
18-10	648-24560-02	FILTER ASS'Y .....	1			
	648-24560-03	FILTER ASS'Y .....	1	1		
18-11	648-24561-00	. BODY, filter .....	1	1		
18-12	648-42564-01	. PACKING, filter .....	1			
	648-42564-02	. PACKING, filter .....	1	1		
18-13	648-24563-01	. ELEMENT, filter .....	1	1		
18-14	648-24521-02	. CUP, filter .....	1			
	648-24521-03	. CUP, filter .....	1	1		
18-15	648-24566-00	BRACKET, filter .....	1	1		
18-16	92990-08200	WASHER, plain .....	1			
	92903-08100	WASHER, spring .....		1		
18-17	98890-08100	NUT .....	1			
	92803-08100	NUT .....		1		

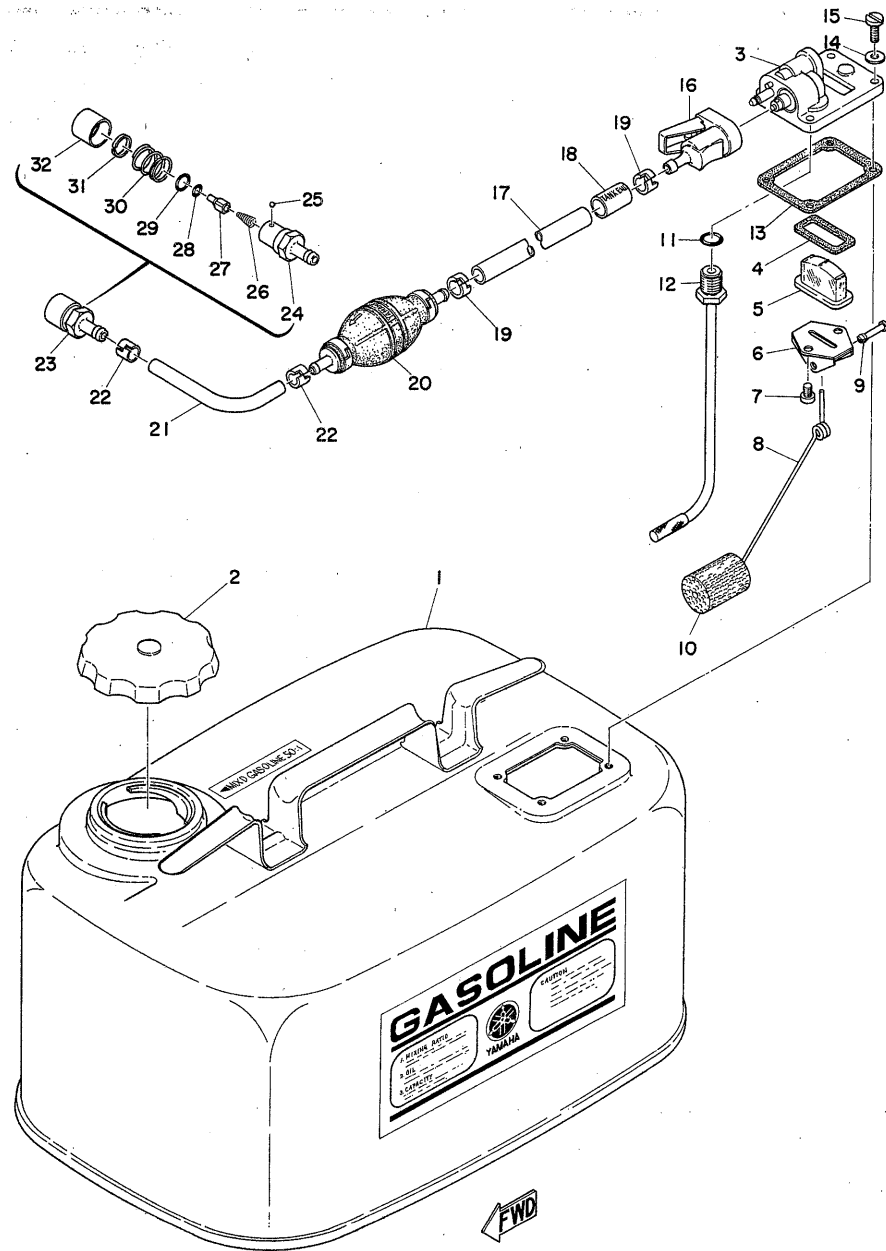
Fig. 19 FUEL TANK ('73)



FUEL TANK ('73)

Ref. No.	Parts No.	Description	Q'ty	Applicable Machine No.	Remarks
19- 1	656-24201-60-24	FUEL TANK COMP. ....	1		Light Vermilion
19- 2	802-24610-00	CAP ASS'Y .....	1		
19- 3	656-24275-00	FUEL METER COMP. ....	1		
19- 4	656-24269-00	GASKET, support indicator .....	1		
19- 5	656-24263-00	LENS, indicator .....	1		
19- 6	656-24262-00	SUPPORT, indicator .....	1		
19- 7	98380-05008	SCREW, cylinderhead .....	2		
19- 8	656-24241-00	INDICATOR, 1 .....	1		
19- 9	656-24249-00	SHAFT, indicator .....	1		
19-10	630-24264-01	FLOAT .....	1		
19-11	656-24334-00	PACKING, suction pipe .....	1		
19-12	656-24335-00	PIPE, suction .....	1		
19-13	656-24268-00	GASKET, housing fuel meter ....	1		
19-14	630-24329-00	SEAL .....	4		
19-15	98380-05015	SCREW, cylinderhead .....	4		
19-16	656-24305-00	FUEL PIPE JOINT COMP. 2 ....	1		
19-17	650-24311-00	PIPE 1 .....	1		
	648-24311-41	PIPE 1 (6-4000) .....	1		Alternate Parts
19-18	656-24397-00	COLLAR .....	1		
19-19	650-24351-00	BAND, fuel pipe 1 .....	2		
19-20	650-24360-00	PRIMER PUMP ASS'Y .....	1		
19-21	650-24313-00	PIPE 3 .....	1		
19-22	650-24351-00	BAND, fuel pipe 1 .....	2		
19-23	644-24305-50	FUEL PIPE JOINT COMP. 2 ....	1		
19-24	644-24371-50	. HOUSING, connector .....	1		
19-25	93501-08001	. BALL .....	1		
19-26	644-24394-50	. SPRING 2 .....	1		
19-27	644-24388-50	. VALVE .....	1		

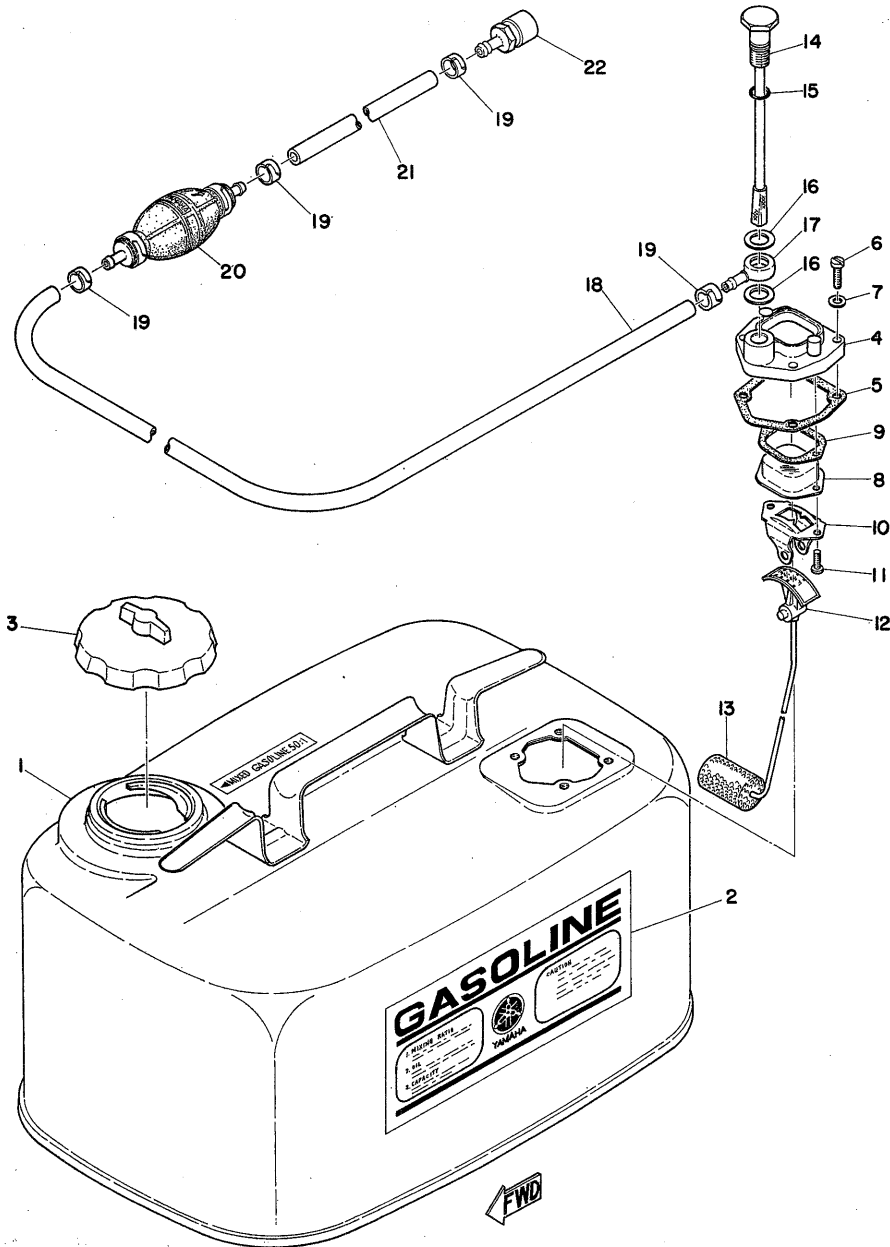
Fig. 19 FUEL TANK ('73)



FUEL TANK ('73)

Ref. No.	Parts No.	Description	Q'ty	Applicable Machine No.	Remarks
19-28	93210-05137	. O-RING (2.2-4.8)	1		
19-29	93210-10138	. O-RING (2.0-10.4)	1		
19-30	644-24373-50	. SPRING, connector	1		
19-31	644-24387-50	. CLIP	1		
19-32	644-24386-50	. LOCK, connector	1		

Fig. 20 FUEL TANK ('74)



FUEL TANK ('74)

Ref. No.	Parts No.	Description	Q'ty	Applicable Machine No.	Remarks
20- 1	656-24201-61-24	FUEL TANK COMP. ....	1		Light Vermilion
20- 2	656-24244-61	GRAPHIC, side ....	2		
20- 3	647-24610-00	CAP ASS'Y ....	1		
20- 4	630-24261-01-33	HOUSING, fuel meter ....	1		Yamaha Black
20- 5	630-24268-02	GASKET, housing fuel meter ....	1		
20- 6	98380-05018	SCREW, cylinderhead ....	4		
20- 7	630-24329-00	SEAL ....	4		
20- 8	630-24263-00	LENS, indicator ....	1		
20- 9	630-24269-01	GASKET, support indicater ....	1		
20-10	630-24262-00	SUPPORT, indicator ....	1		
20-11	98303-05010	SCREW, cylinderhead ....	2		
20-12	656-24241-01	INDICATOR 1 ....	1		
20-13	630-24264-01	FLOAT ....	1		
20-14	630-24335-03	PIPE, suction 1 ....	1		
20-15	93210-10166	O-RING ....	1		
20-16	630-24334-01	PACKING, suction pipe ....	2		
20-17	630-24342-01	BANJO, connection 2 ....	1		
20-18	90445-12207	HOSE (6-2400) ....	1		
20-19	650-24351-00	BAND, fuel pipe 1 ....	4		
20-20	650-24360-00	PRIMERY PUMP ASS'Y ....	1		
20-21	90445-12155	PIPE 3 (6-1000) ....	1		
20-22	644-24305-50	FUEL PIPE JOINT COMP. 2 ....	1		

## Exclusive Parts For The Following Countries

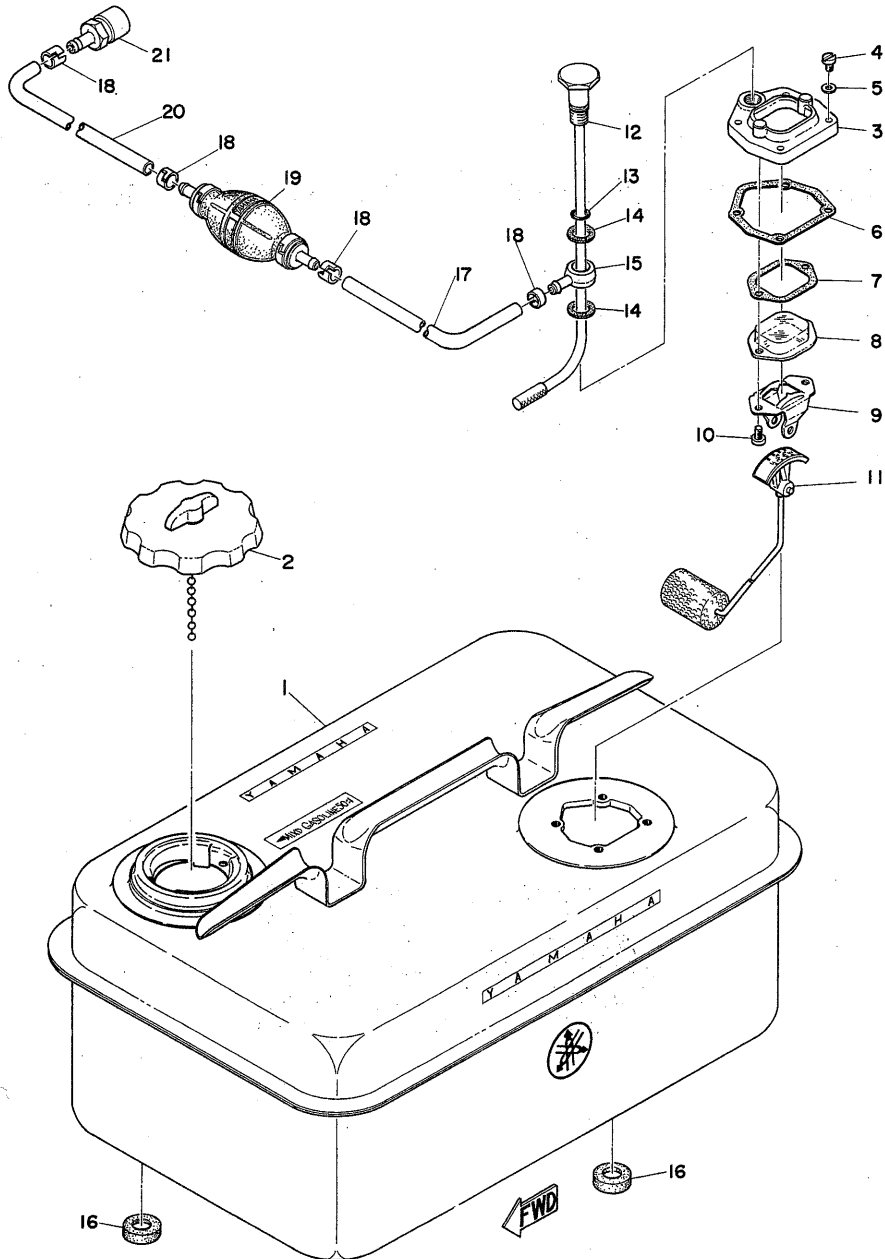
- Austria
- Denmark
- England
- Finland
- France
- Italy
- Norway
- Sweden
- Switzerland
- The Netherland

(Yamaha Motor N. V. Territory)

*Territory*



Fig. 21 FUEL TANK

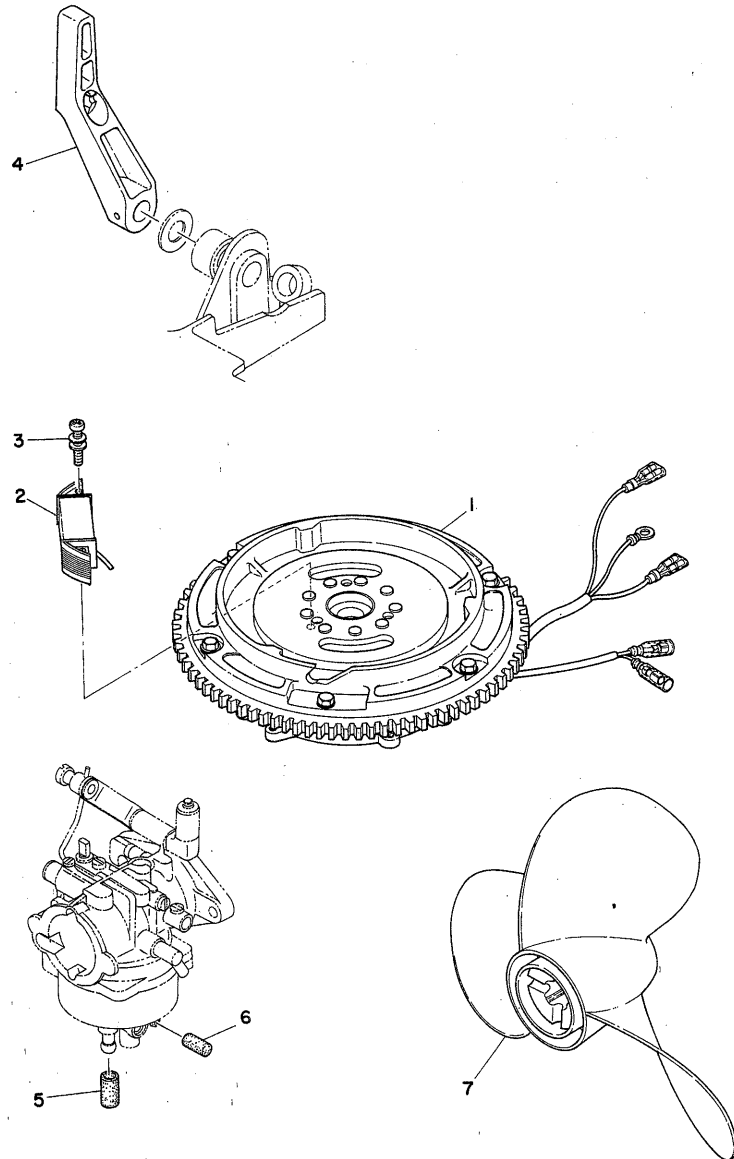


FUEL TANK

Ref. No.	Parts No.	Description	Q'ty	Applicable Machine No.	Remarks
21- 1	648-24201-60-24	FULE TANK COMP. ....	1		
21- 2	647-24610-00	CAP ASS'Y .....	1		
21- 3	630-24261-01	HOUSING, fuel meter .....	1		
21- 4	98380-05018	SCREW, cylinderhead .....	4		
21- 5	630-24329-00	SEAL .....	4		
21- 6	630-24268-02	GASKET, fuel meter housing ...	1		
21- 7	630-24269-01	GASKET, support indicator .....	1		
21- 8	630-24263-00	LENS, indicator .....	1		
21- 9	630-24262-00	SUPPORT, indicator .....	1		
21-10	98303-05010	SCREW, cylinderhead .....	2		
21-11	648-24241-01	INDICATOR 1 .....	1		
21-12	630-24335-03	PIPE, suction .....	1		
21-13	93210-10166	O-RING .....	1		
21-14	630-24334-01	PACKING, suction pipe .....	2		
21-15	630-24342-01	BANJO, connection 2 .....	1		
21-16	630-24217-00	COVER .....	3		
21-17	90445-12207	HOSE (6-2400) .....	1		
21-18	650-24351-00	BAND, fuel pipe 1 .....	4		
21-19	650-24360-00	PRIMARY PUMP ASS'Y .....	1		
21-20	90445-12155	PIPE 3 (6-1000) .....	1		
21-21	644-24305-50	FUEL PIPE JOINT COMP. 2 ....	1		



Fig. 22 FLYWHEEL MAGNETO · HANDLE · PROPELLER



FLYWHEEL MAGNETO · HANDLE · PROPELLER

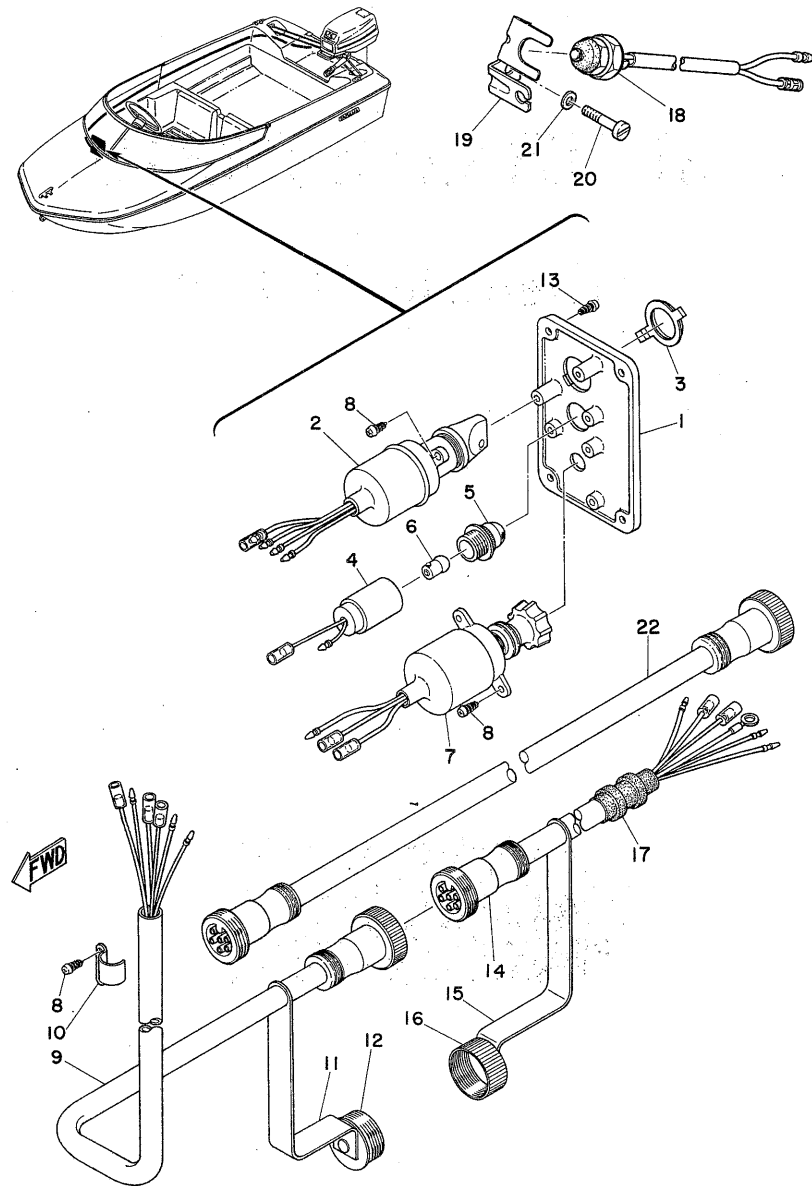
Ref. No.	Part No.	Description	Q'ty		Applicable Machine No.	Remarks
			'73	'74		
22- 1	648-81300- <del>62</del> <sup>63</sup>	FLYWHEEL MAGNETO ASS'Y ..	1	1		
22- 2	647-81313-41	. COIL, lighting .....	1	1		
22- 3	647-81324-10	. SCREW .....	2	2		
22- 4	648-44111-00-F6	HANDLE, gear shift .....	1	1		Metallic Ocean Blue
22- 5	648-14382-60	CAP, drain pipe .....	1	1		
22- 6	647-14395-00	CAP, over flow .....	1	1		
22- 7	648-45941-61-36	PROPELLER ASS'Y 1 (9 <sup>1</sup> / <sub>4</sub> x 10 <sup>5</sup> / <sub>8</sub> -D) .....		1		S.T.D White
	648-45943-61-36	PROPELLER ASS'Y 2 (9 <sup>1</sup> / <sub>2</sub> x 11 <sup>1</sup> / <sub>2</sub> -D) .....		1		High Speed White
	648-45945-61-36	PROPELLER ASS'Y 3 (8 <sup>5</sup> / <sub>8</sub> x 9-D) .....	1	1		White
	656-45943-61-36	PROPELLER ASS'Y 2 (9 <sup>1</sup> / <sub>4</sub> x 11 <sup>1</sup> / <sub>4</sub> -D) .....	1	1		White

# ALTERNATE PARTS

(Electric Motor)



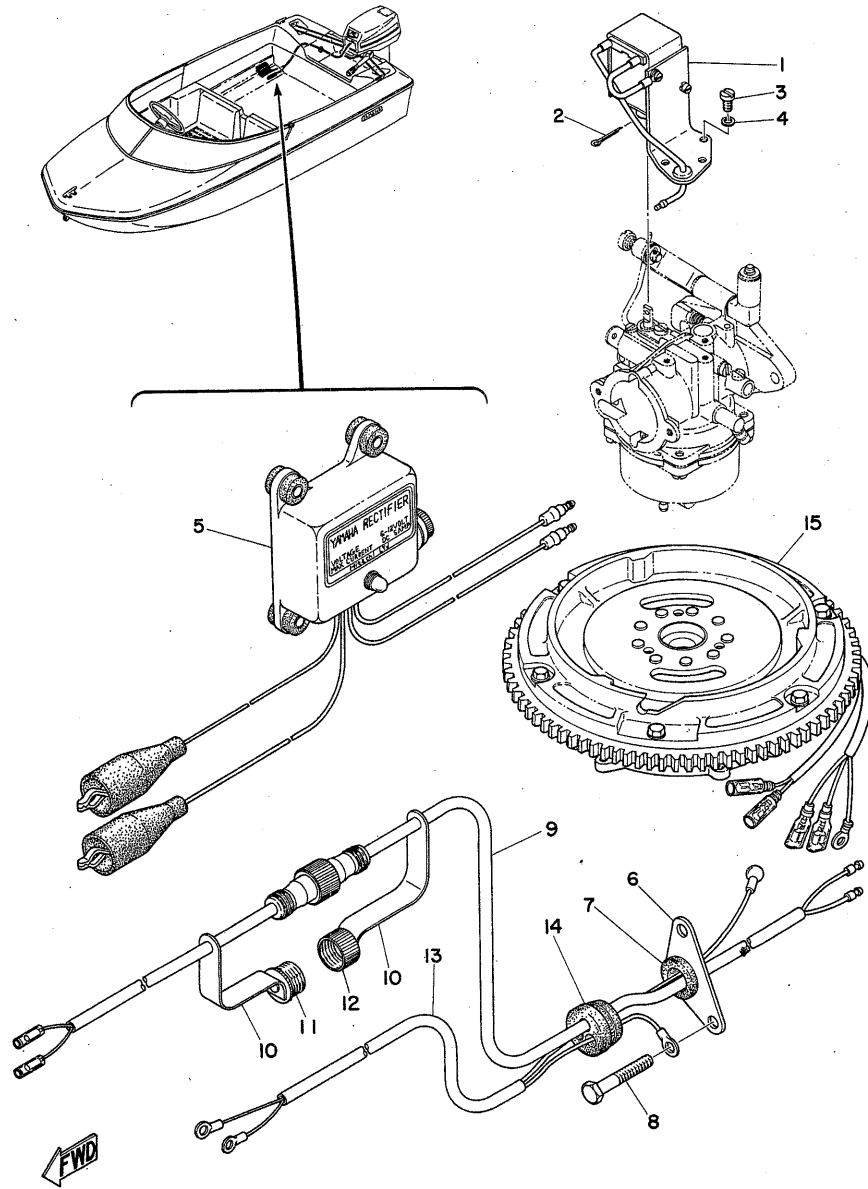
Fig. 23 SWITCH PANEL



SWITCH PANEL

Ref.No.	Part No.	Description	Q'ty		Applicable Machine No.	Remarks
			'73	'74		
23- 0-1	648-82570-40	SWITCH PANEL ASS'Y	1	1		
23- 1	648-82571-40	. PANEL, switch	1	1		
23- 2	648-82508-40	. MAINSWITCH ASS'Y	1	1		
23- 3	648-82584-40	. CAP, switch	1	1		
23- 4	648-84301-40	. PILOT LAMP ASS'Y	1	1		
23- 5	648-83583-40	. . LENS, pilot	1	1		
23- 6	123-83516-20	. . BULB, pilot (12V-3W)	1	1		
23- 7	648-82502-40	. SUB-SWITCH ASS'Y	1	1		
23- 8	648-82573-40	. SCREW, special 2	6	6		
23- 9	648-82580-40	. WIRE HARNESS ASS'Y 2	1	1		
23-10	648-82594-40	. CLAMP, wire harness	1	1		
23-11	648-82583-40	. BAND	1	1		
23-12	648-82582-40	. CAP 1	1	1		
23-13	648-82572-40	. SCREW, special 1	4	4		
23-14	648-82590-40	WIRE HARNESS ASS'Y 1	1			
	656-82590-40	WIRE HARNESS ASS'Y		1		
23-15	648-82583-40	. BAND	1	1		
23-16	648-82585-40	. CAP 2	1	1		
23-17	648-42724-40	GROMMET 1	1	1		
23-18	656-82540-41	NEUTRAL SWITCH ASS'Y		1		
23-19	656-15774-41	STAY 4		1		
23-20	98303-04025	SCREW, cylinderhead		2		
23-21	92903-04600	WASHER, plate		2		
23-22	656-82586-40	EXTENSION, wire harness		1		

Fig. 24 WIRE - RECTIFIER

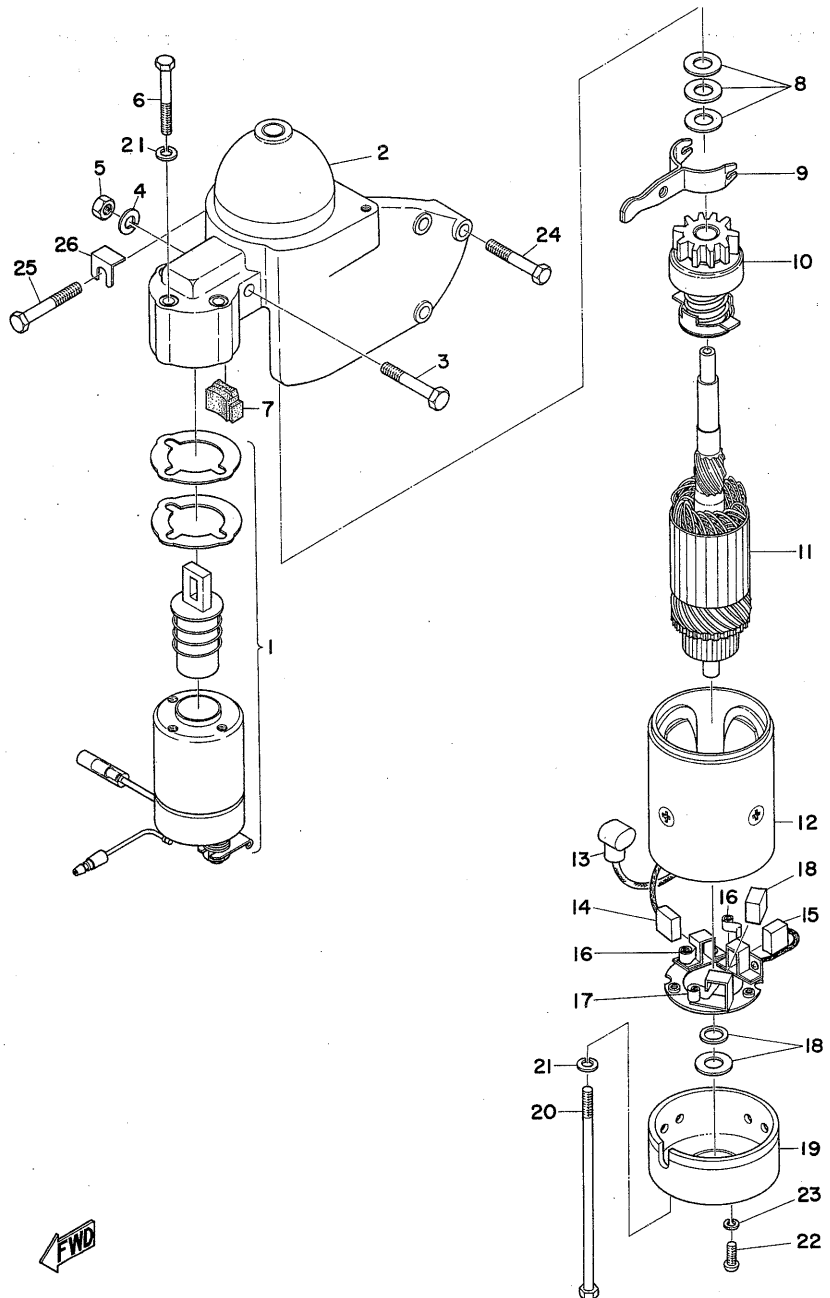


WIRE - RECTIFIER

Ref. No.	Part No.	Description	Q'ty		Applicable Machine No.	Remarks
			'73	'74		
24- 1	648-86110-40	SOLENOID ASS'Y	1	1		
24- 2	91490-20015	. PIN, cotter	1	1		
24- 3	98303-04008	. SCREW, cylinderhead	3	3		
24- 4	92990-04100	. WASHER, spring	3	3		
24- 5	648-81970-40	RECTIFIER ASS'Y	1	1		
24- 6	648-82544-40	CLAMP	1	1		
24- 7	648-48176-40	GROMMET	1	1		
24- 8	91203-06040	BOLT	1	1		
24- 9	648-84380-40	CONCENT 2P ASS'Y	1	1		
24-10	648-82583-40	. BAND	2	2		
24-11	648-82582-40	. CAP 1	1	1		For Searchlight
24-12	648-82585-40	. CAP 2	1	1		
24-13	656-82105-40	READ WIRE ASS'Y		1		
24-14	648-42724-40	GROMMET 1	1	1		
24-15	648-81300-62	FLYWHEEL MAGNETO ASS'Y	1	1		

756-1

Fig. 25 ELECTRIC MOTOR



ELECTRIC MOTOR

Ref. No.	Part No.	Description	Q'ty		Applicable Machine No.	Remarks
			'73	'74		
25- 0-1	648-81800-40	ELECTRIC MOTOR ASS'Y	1	1		
25- 1	648-81860-40	. SWITCH ASS'Y	1	1		
25- 2	648-81830-40	. FRONT BRACKET ASS'Y	1	1		
25- 3	648-81828-40	. BOLT 2	1	1		
25- 4	92903-06100	. WASHER, spring	1	1		
25- 5	92803-06200	. NUT	1	1		
25- 6	648-81846-40	. BOLT	3	3		
25- 7	648-81829-40	. GROMMET	1	1		
25- 8	648-81809-40	. WASHER KIT	1	1		
25- 9	648-81839-40	. LEVER, shift	1	1		
25-10	648-81832-40	. GEAR ASS'Y	1	1		
25-11	648-81850-40	. ARMATURE ASS'Y	1	1		
25-12	648-81810-40	. STATOR ASS'Y	1	1		
25-13	648-81862-40	. CAP	1	1		
25-14	648-81811-40	. BRUSH 1	1	1		
25-15	648-81812-40	. BRUSH 2	1	1		
25-16	648-81813-40	. SPRING, brush	2	2		
25-17	648-81814-40	. SPRING, friction piece	1	1		
25-18	648-81827-40	. PIECE, friction	1	1		
25-19	648-81820-40	. REAR COVER ASS'Y	1	1		
25-20	648-81826-40	. BOLT	2	2		
25-21	92903-05100	. WASHER, spring	5	5		
25-22	98503-04012	. SCREW, panhead	2	2		
25-23	92903-04100	. WASHER, spring	2	2		
25-24	91203-06035	BOLT	1	1		
25-25	91203-06040	BOLT	1	1		
25-26	648-81893-40	SHIM, gear adjusting	1	1	U.R	U.R

# NUMERICAL INDEX



## NUMERICAL INDEX

Ref No.	Parts No.	Ref No.	Parts No.	Ref No.	Parts No.
23- 6	✓ 123-83516-20	16-16	626-42833-00	21- 5	630-24329-00
2- 7	✓ 164-11685-00	9-20	626-43198-00	20-16	630-24334-01
14-13	✓ 165-81145-21	9- 3	626-43336-00	21-14	630-24334-01
14-16	✓ 207-81331-10	9- 4	626-43396-00	20-14	630-24335-03
14-31	✓ 214-11557-01	10- 5	626-43645-00	21-12	630-24335-03
2-17	604-11634-00	6-21	626-44165-00	20-17	630-24342-01
13-21	604-42179-00	6-22	626-44166-00	21-15	630-24342-01
6-20	604-45342-00	12- 9	626-44188-01	18- 1	644-24304-50
6-29	604-45342-00	8- 6	626-44365-00	19-23	644-24305-50
13- 8	606-42591-00	9-15	626-45119-00	20-22	644-24305-50
6-19	606-45341-00	11-12	626-45119-00	21-21	644-24305-50
13-14	610-41292-00	16-30	626-45119-00	19-24	644-24371-50
9-27	611-43162-00	6-26	626-45215-00	18- 2	644-24372-50
16-33	612-42724-00	6-27	626-45247-00	19-30	644-24373-50
4-39	615-14159-00	7- 3	626-45524-00	19-32	644-24386-50
9-21	615-43132-00	7- 5	626-45526-00	19-31	644-24387-50
9-36	616-43118-00-F6	7- 9	626-45533-00-02	19-27	644-24388-50
6-24	616-45251-30	7- 9	626-45533-00-03	18- 3	644-24393-50
6-23	616-45252-30	7- 7	626-45534-00-04	19-26	644-24394-50
14-44	616-84380-30	7-31	626-45616-01	22- 6	647-14395-00
15-17	619-15755-01	7-30	626-45943-02-38	20- 3	647-24610-00
16-18	620-24576-00	7-30	626-45949-01-36	21- 2	647-24610-00
9-37	620-43117-00	3-20	626-82361-00	13-22	647-42119-01
1-35	624-14485-00	21-16	630-24217-00	13-20	647-42137-01
1-36	624-14588-01	21- 3	630-24261-01	13-18	647-42147-00
14-39	624-82370-00	20- 4	630-24261-01-33	13-23	647-42177-00
4-21	626-14326-00	20-10	630-24262-00	15-12	647-42548-00
4-33	626-14327-00	21- 9	630-24262-00	12-22	647-44147-00
4- 3	626-14398-00	20- 8	630-24263-00	6-19	647-45341-00
4-26	626-41231-00	21- 8	630-24263-00	6-28	647-45341-00
4-26	626-41231-01	19-10	630-24264-01	14- 7	647-81311-10
5- 4	626-41235-00	20-13	630-24264-01	14- 9	647-81312-10
5-28	626-41235-00	20- 5	630-24268-02	14-41	647-81313-41
4-35	626-41236-01	21- 6	630-24268-02	22- 2	647-81313-41
4-35	626-41236-02	20- 9	630-24269-01	14- 8	647-81318-10
5-11	626-41236-00	21- 7	630-24269-01	14-10	647-81323-10
4-29	626-41291-00	19-14	630-24329-00	14-42	647-81324-10
16-14	626-42832-00	20- 7	630-24329-00	22- 3	647-81324-10

## NUMERICAL INDEX

Ref No.	Parts No.	Ref No.	Parts No.	Ref No.	Parts No.
14-15	647-81325-10	3- 7	648-14198-00	16- 8	648-15761-00
14-18	647-81336-10	4-10	648-14225-00	15-19	648-15771-00-94
14-35	647-82310-10	4- 0-1	648-14301-03	15-20	648-15772-00-94
1- 9	648-11111-01-94	4-24	648-14321-00	15- 2	648-15773-00
1- 8	648-11175-00	4-22	648-14323-00	21- 1	648-24201-60-24
1-12	648-11175-00	4-23	648-14334-00	21-11	648-24241-01
1-10	648-11181-02	4-14	648-14335-01	18- 6	648-24311-00
2- 0-1	648-11400-01	4- 4	648-14341-00	19-17	648-24311-41
2- 1	648-11412-00	4- 1	648-14342-00	18- 7	648-24312-01
2- 2	648-11422-00	4- 1	648-14342-30	18- 8	648-24313-00
2- 3	648-11432-00	4- 5	648-14343-70	18- 9	648-24356-00
2- 4	648-11442-01	4- 5	648-14343-72	17- 0-1	648-24410-01
3- 3	648-11461-00	4-13	648-14371-01	17- 2	648-24411-00
2- 9	648-11515-00	4-16	648-14372-02	17- 6	648-24412-00
14-30	648-11555-00	4-17	648-14374-01	17-14	648-24413-01
14-31	648-11557-00	4-20	648-14375-00	17- 1	648-24414-00
2-18	648-11587-00	4-15	648-14378-00	17- 7	648-24421-00
2-15	648-11610-00	4- 9	648-14381-03	17- 9	648-24422-01
2-15	648-11610-10	22- 5	648-14382-60	17- 4	648-24423-00
2-15	648-11610-20	4- 6	648-14384-00	17- 3	648-24424-00
2-14	648-11631-00-96	4- 6	648-14384-01	17- 8	648-24431-00
2-14	648-11631-00-97	4- 7	648-14385-00	17- 5	648-24434-00
2-16	648-11633-00	4- 8	648-14386-00	17-13	648-24435-01
2-14	648-11635-00	4- 2	648-14390-14	17-12	648-24454-00
2-14	648-11636-00	3- 1	648-14417-00	18-14	648-24521-02
2- 5	648-11651-00	3- 4	648-14443-00	18-14	648-24521-03
2- 8	648-11681-00	3- 2	648-14451-00	18-10	648-24560-02
1-13	648-12411-00	1- 1	648-15100-00-94	18-10	648-24560-03
1-15	648-12413-02-94	1-25	648-15359-00-94	18-11	648-24561-00
1-16	648-12414-01	1-26	648-15369-00	18-13	648-24563-01
1-14	648-12418-00	15- 9	648-15705-00	18-12	648-24564-02
3- 9	648-13558-00	15- 0-1	648-15710-01	18-15	648-24566-00
3-12	648-13568-00	15- 1	648-15711-00-73	13-25	648-26311-01
3-15	648-13610-00	15- 5	648-15714-00-94	13-26	648-26317-00
3-16	648-13621-00	15-10	648-15717-00	13-27	648-26319-00
3- 8	648-13641-01-94	15- 7	648-15741-01	1-21	648-41111-00
3-14	648-13645-00	15-18	648-15751-00	1-19	648-41113-00-94
4-38	648-14196-00	15-14	648-15758-00-F6	1-20	648-41114-00

## NUMERICAL INDEX

Ref No.	Parts No.	Ref No.	Parts No.	Ref No.	Parts No.
1-20	648-41114-01	9- 5	648-42528-00	9- 1	648-43311-00-F6
6- 6	648-41131-00-94	9-12	648-42529-00	9-23	648-43160-00
6- 7	648-41133-01	9- 6	648-42535-00	9-29	648-43192-00
4-30	648-41210-01	9- 2	648-42537-00	10-11	648-43611-00
14-26	648-41213-00	9- 7	648-42538-00	10- 8	648-43614-00-F6
4-25	648-41216-00	9- 9	648-42539-00	10-10	648-43615-00-F6
5- 1	648-41227-00	13- 4	648-42551-00	10- 3	648-43616-00
4-34	648-41241-01	18-12	648-42564-01	10- 6	648-43617-00
5- 5	648-41252-01	16- 1	648-42610-01-F6	10- 2	648-43619-00
5-10	648-41256-00	16- 9	648-42615-00	10- 1	648-43631-00
5- 2	648-41257-01	16- 2	648-42675-01	10- 4	648-43633-00
5- 9	648-41265-00	16- 3	648-42675-02	10- 7	648-43642-00
16-27	648-41292-01	16- 2	648-42676-01	10- 9	648-43656-00
14-20	648-41611-00	16- 2	648-42676-02	12- 1	648-44111-00-F6
14-19	648-41612-00	16- 5	648-42686-00	22- 4	648-44111-00-F6
14-23	648-41615-00	16- 6	648-42687-00	12- 4	648-44113-00
1-29	648-41616-00	16-12	648-42710-01-F6	12- 4	648-44113-01
5-16	648-41631-00-94	12- 6	648-42751-00	12- 7	648-44116-00
5-22	648-41635-00	11-20	648-42716-00	12-11	648-44121-00
5-21	648-41636-00	11-10	648-42718-00	11- 2	648-44122-00
5-20	648-41655-00	16-23	648-42724-00	12-13	648-44125-00
5-19	648-41656-00	23-17	648-42724-40	12- 3	648-44126-00
5-13	648-41661-00-94	24-14	648-42724-40	12-18	648-44128-00
13- 7	648-42111-00-F6	16-32	648-42726-00	12-10	648-44142-00
13-11	648-42112-00-F6	16-31	648-42727-00	12-10	648-44142-01
13-17	648-42115-00	16-21	648-42761-00	12-15	648-44143-00
13-15	648-42138-00	16-24	648-42791-01	12-19	648-44145-00
5-33	648-42153-01-F6	16-13	648-42815-00-F6	12-17	648-44146-00
5-33	648-42153-02-F6	17-17	648-42816-00	12-27	648-44150-00
5-31	648-42154-00-94	16-14	648-42832-00	12-27	648-44150-10
5-31	648-42154-01-94	16-16	648-42833-00	12-27	648-44150-20
5-26	648-42169-00	9-16	648-43111-02-F6	11- 3	648-44185-00
5-26	648-42169-01	9-17	648-43112-02-F6	16-28	648-44186-00
13- 9	648-42188-00	9-38	648-43114-01	12-12	648-44188-00
5-29	648-42195-00	9-35	648-43116-00	16- 7	648-44191-01
13- 1	648-42511-00-F6	9-32	648-43122-00	8- 1	648-44311-00
9-10	648-42521-01-F6	9-31	648-43123-00	8- 3	648-44323-00
9-13	648-42524-00	9-19	648-43136-00	8- 2	648-44352-01

## NUMERICAL INDEX

Ref No.	Parts No.	Ref No.	Parts No.	Ref No.	Parts No.
7- 2	648-44355-00	7-15	648-45567-00-02	25-16	648-81813-40
8- 7	648-44361-01	7-15	648-45567-00-03	25-17	648-81814-40
8- 7	648-44361-11	7-26	648-45570-00	25-19	648-81820-40
8- 7	648-44361-22	7-26	648-45570-01	52-20	648-81826-40
8- 8	648-44365-01	7-25	648-45576-00	25-18	648-81827-40
11- 1	648-44508-00-F6	7-25	648-45576-01	25- 3	648-81828-40
11-13	648-44516-01	7-27	648-45577-00-13	25- 7	648-81829-40
11-13	648-44516-02	7-27	648-45577-00-15	25- 2	648-81830-40
11-21	648-44517-00	7-27	648-45577-00-17	25-10	648-81832-40
11- 6	648-44519-00-F6	7-23	648-45611-01	25- 9	648-81839-40
11-24	648-44551-01-F6	7-24	648-45615-00	25- 6	648-81846-40
11-25	648-44552-01-F6	7-19	648-45631-00	25-11	648-81850-40
11-29	648-44555-01	7-20	648-45632-00	25- 1	648-81860-40
11-29	648-44555-02	7-18	648-45633-00	25-13	648-81862-40
11-34	648-44557-01	7-21	648-45634-00	14- 2	648-81891-00
11-34	648-44557-03	7-13	648-45635-00	25-26	648-81893-40
11-14	648-44591-00	7-22	648-45636-00	24- 5	648-81970-40
11-30	648-44591-00	7-30	648-45926-01-36	24-13	648-82105-40
11-15	648-44592-00	7-30	648-45941-01-36	14-35	648-82310-10
11-35	648-44593-00	22- 7	648-45941-61-36	14-40	648-82355-00
6- 1	648-45111-01-F6	22- 7	648-45943-61-36	14-38	648-82361-01
6- 2	648-45113-00	22- 7	648-45945-61-36	23- 7	648-82502-40
6-33	648-45211-10-F6	24- 7	648-48176-40	23- 2	648-82508-40
6-33	648-45211-21-F6	14- 0-1	648-81300-61	1-32	648-82544-00
6-17	648-45214-00-F6	14- 0-1	648-81300-62	24- 6	648-82544-40
6- 9	648-45301-00-F6	22- 1	648-81300-62	16-25	648-82550-01
6-14	648-45312-00-F6	24-15	648-81300-62	23- 0-1	648-82570-40
6-15	648-45314-00	14- 6	648-81309-60	23- 1	648-82571-40
6-10	648-45316-09	14-17	648-81315-10	23-13	648-82572-40
6-30	648-45361-01-94	14- 1	648-81350-10	23- 8	648-82573-40
7- 1	648-45511-00	14- 1	648-81350-11	23- 9	648-82580-40
7- 1	648-45511-10	14-32	648-81362-00	23-12	648-82582-40
7- 1	648-45511-20	14-29	648-81365-00	24-11	648-82582-40
7-11	648-45551-00	25- 0-1	648-81800-40	23-11	648-82583-40
7-16	648-45560-00	25- 8	648-81809-40	23-15	648-82583-40
7-16	648-45560-01	25-12	648-81810-40	24-10	648-82583-40
7-17	648-45566-00	25-14	648-81811-40	23- 3	648-82584-40
7-17	648-45566-01	25-15	648-81812-40	23-16	648-82585-40

## NUMERICAL INDEX

Ref No.	Parts No.	Ref No.	Parts No.	Ref No.	Parts No.
24-12	648-82585-40	2-15	656-11610-10	19-18	656-24397-00
23-14	648-82590-40	2-15	656-11610-20	1-21	656-41111-00
23-10	648-82594-40	2-14	656-11631-00-96	1-19	656-41113-00-94
23- 5	648-83583-40	2-14	656-11631-00-97	1-20	656-41114-01
23- 4	648-84301-40	2-14	656-11635-00	1-20	656-41114-02
24- 9	648-84380-40	2-14	656-11636-00	13- 7	656-42111-00-F6
24- 1	648-86110-40	1-13	656-12411-00	5-33	656-42153-00
4-37	650-14223-00	1-13	656-12411-01	5-31	656-42154-00
4-36	650-14394-00	4- 0-1	656-14301-00	13-10	656-42155-00
1-34	650-14485-01	4- 9	656-14381-00	13- 1	656-42511-00-F6
19-17	650-24311-00	1- 1	656-15100-01-94	16- 1	656-42610-60-F6
19-21	650-24313-00	1- 1	656-15100-02-94	16- 1	656-42610-61-F6
19-19	650-24351-00	15- 9	656-15705-00	16-12	656-42710-00-F6
19-22	650-24351-00	15- 0-1	656-15710-00	9-16	656-43111-00-F6
20-19	650-24351-00	15- 0-1	656-15710-01	9-17	656-43112-01-F6
21-18	650-24351-00	15- 1	656-15711-00	9-35	656-43116-00
19-20	650-24360-00	15- 3	656-15713-00	9-18	656-43131-00
20-20	650-24360-00	15- 5	656-15714-00	9-23	656-43160-00
21-19	650-24360-00	15-29	656-15748-00	9-24	656-43164-00
17-17	650-24431-00	15-32	656-15749-00	9-25	656-43165-00
16- 4	650-42681-00	15-31	656-15770-00	9-28	656-43191-00
16-10	650-42691-00	15-39	656-15774-00	12- 1	656-44111-00-F6
16-11	650-42693-00	23-19	656-15774-41	12- 4	656-44113-00
12-23	650-44152-01	15-28	656-15777-00	8- 3	656-44323-00
7-30	650-45941-01-36	19- 1	656-24201-60-24	6- 1	656-45111-00-F6
14-12	650-81321-10	20- 1	656-24201-61-24	6- 2	656-45113-00
14-39	650-82370-00	19- 8	656-24241-00	6-33	656-45211-10-F6
4- 5	653-14343-00	20-12	656-24241-01	6-33	656-45211-20-F6
7-30	653-45941-01-36	20- 2	656-24244-61	6-17	656-45214-00-F6
1-39	655-24312-00	19- 9	656-24249-00	6- 9	656-45301-00-F6
14-35	655-82310-10	19- 6	656-24262-00	22- 7	656-45943-61-36
1- 9	656-11111-02-94	19- 5	656-24263-00	24-13	656-82105-40
1- 4	656-11165-00	19-13	656-24268-00	14-40	646-82355-00
1-10	656-11181-01	19- 4	656-24269-00	14-43	656-82361-00
1-10	656-11181-03	19- 3	656-24275-00	23-18	656-82540-41
1- 3	656-11325-00	19-16	656-24305-00	23-22	656-82586-40
1- 3	656-11325-01	19-11	656-24334-00	23-14	656-82590-40
2-15	656-11610-00	19-12	656-24335-00	16-26	700-48176-10



## NUMERICAL INDEX

Ref No.	Parts No.	Ref No.	Parts No.	Ref No.	Parts No.
17-17	✓801-24431-00	14-36	✓91203-06030	11-18	✓92880-10200
19- 2	✓802-24610-00	3-17	✓91203-06035	11-33	✓92880-10200
15-36	✓90109-06258	25-24	✓91203-06035	14-14	✓92901-04100
3-12	✓90116-06147	17-18	✓91203-06037	4-19	OK 92990-04100
15-42	✓90123-06049	15-22	✓91203-06040	25-23	✓92903-04100
1- 5	✓90150-04008	24- 8	✓91203-06040	23-21	✓92903-04600
13- 5	✓90202-34043	25-25	✓91203-06040	5-24	✓92903-05100
15-34	✓90206-05005	11- 8	✓91280-06015	5-32	✓92903-05100
15-38	✓90206-08100	11-16	✓91280-06015	14-11	✓92901-05100
2-23	OK 90280-05013	12-20	✓91280-06015	14-22	✓92903-05100
1-42	OK 90334-06013	11- 8	✓91280-06018	25-21	✓92903-05100
1-43	✓90334-10014	13- 2	✓91280-06020	3- 6	✓92903-05200
13-14	✓90386-08032	11- 4	✓91280-06025	5-25	✓92903-05200
1-40	✓90445-07198	4-28	✓91490-12008	5-27	✓92903-05200
20-21	OK 90445-12155	15-35	✓91490-12010	14-28	✓92903-05200
21-20	✓90445-12155	5- 8	✓91490-16010	15-33	✓92903-05200
20-18	? 90445-12207	10-12	✓91490-16010	1-18	✓92903-06100
21-17	✓90445-12207	12- 5	✓91490-16010	1-24	✓92903-06100
1-41	✓90467-07016	24- 2	OK 91490-20015	1-28	✓92903-06100
1-38	✓90501-02223	7-32	✓91490-30030	1-31	✓92903-06100
15-30	✓90501-10227	9-26	✓91690-30008	3-19	✓92903-06100
13- 6	✓90501-20001	9-30	✓91690-30016	5-15	✓92903-06100
13-18	OK 90501-23215	13-16	✓91690-30025	5-18	✓92903-06100
1-30	✓91203-06010	12-14	✓91690-40016	5-18	✓92903-06100
14-24	✓91203-06010	15- 4	✓91690-40016	14- 4	✓92903-06100
14-33	✓91203-06012	15- 6	✓91690-40020	14-37	✓92903-06100
15-40	✓91203-06012	5-34	✓91690-40022	15-16	✓92903-06100
15-15	✓91203-06015	12- 2	✓91690-40022	15-23	✓92903-06100
5-14	✓91203-06018	5- 7	✓91790-05022	15-25	✓92903-06100
14- 3	✓91203-06018	6-25	✓92180-06020	15-41	✓92903-06100
1-17	✓91203-06020	8- 4	✓92180-06028	17-19	✓92903-06100
3-18	✓91203-06020	16-22	✓92280-06012	25- 4	✓92903-06100
15-24	✓91203-06020	13-12	✓92380-06020	3-10	✓92903-06200
1-23	✓91203-06025	12-24	✓92390-06012	14- 5	✓92903-06200
14-36	✓91203-06025	1-27	✓92503-06020	14-34	✓92903-06200
15-21	✓91203-06025	6- 8	✓92780-06015	14-37	✓92903-06200
1-22	✓91203-06030	25- 5	✓92803-06200	15-37	✓92903-06200
5-17	✓91203-06030	18-17	✓92803-08100	15-27	✓92903-08100
		9-22	✓92880-10200	18-16	✓92903-08100

## NUMERICAL INDEX

Ref No.	Parts No.	Ref No.	Parts No.	Ref No.	Parts No.
5-12	✓92990-03200	19-29	✓93210-10138	11-36	✓97280-08015
4-12	OK 92990-04100	20-15	✓93210-10166	6- 4	✓97280-08025
24- 4	✓92990-04100	21-13	✓93210-10166	6-12	✓97280-08025
4-32	OK 92990-05100	12-26	✓93210-14104	6-35	✓97280-08025
17-16	✓92990-05100	7- 6	✓93210-14106	1- 7	✓97313-08045
4-27	OK 92990-05200	2-20	✓93210-14167	1-11	✓97313-08045
5- 3	✓92990-05200	9- 8	✓93210-37160	1- 6	✓97313-08055
5- 6	✓92990-05200	6-32	✓93210-45161	6- 4	✓97370-08030
12-16	✓92990-05200	7-28	✓93306-20301	6-16	OK 97470-06025
8- 5	OK 92990-06100	7-14	✓93306-20511	11-28	OK 97470-08020
11- 5	✓92990-06100	2-12	✓93306-30510	11-27	OK 97470-08055
11- 9	✓92990-06100	2-13	✓93310-21824	11-26	OK 97470-08080
11-17	✓92990-06100	2- 6	✓93310-52252	11-27	✓97490-08050
12-21	✓92990-06100	7- 8	✓93318-32204	6-18	✓98180-05015
13- 3	✓92990-06100	7-10	✓93341-22008	13-24	✓98180-05025
13-13	✓92990-06100	2-10	✓93390-00004	24- 3	✓98303-04008
16-19	✓92990-06100	7-12	✓93410-12003	23-20	✓98303-04025
12-25	OK 92990-06200	15- 8	✓93430-06005	14-21	✓98303-05010
14-25	✓92990-06200	2-11	✓93440-62021	20-11	✓98303-05010
6- 5	OK 92990-08100	12- 8	✓93501-04011	21-10	✓98303-05010
6-13	✓92990-08100	1-37	✓93501-08001	4-18	✓98380-04008
6-36	✓92990-08100	19-25	✓93501-08001	19- 7	✓98380-05008
9-34	✓92990-08100	18- 4	✓93507-32009	19-15	✓98380-05015
11-37	✓92990-08100	6-31	✓93604-09068	20- 6	✓98380-05018
11-22	OK 92990-08200	1- 2	✓93606-12019	21- 4	✓98380-05018
13-19	✓92990-08200	6- 3	✓93606-12019	17-10	✓98503-03008
18-16	✓92990-08200	6-11	✓93606-12019	4-11	✓98503-04012
11-19	✓92990-10200	6-34	✓93606-12019	25-22	✓98503-04012
11-31	✓92990-10200	11- 7	✓93606-12019	17-15	✓98503-05030
7-29	✓93101-17054	9-11	✓93608-12063	17-11	✓98801-03100
7- 4	✓93101-20048	9-14	✓93700-06004	5-23	✓98803-05100
2-21	✓93102-23096	11-11	✓93700-06004	5-30	✓98803-05100
2-19	✓93102-25097	16-29	✓93700-06004	4-31	✓98803-05300
2-19	✓93102-25114	1-33	✓94701-00040	3-11	✓98803-06100
2-22	✓93104-14047	14-27	✓97203-05012	3-13	✓98803-06100
18- 5	✓93210-05137	3- 5	✓97203-05035	15-43	✓98803-06200
19-28	✓93210-05137	15-26	✓97203-08020	16-20	✓98803-06300
16-15	✓93210-10107	15-11	✓97203-08025	15-13	✓98803-08200

# NUMERICAL INDEX

Ref No.	Parts No.	Ref No.	Parts No.
9-33	✓ 98880-08100		
11-23	✓ 98880-08300		
11-32	✓ 98880-10700		
18-17	✓ 98890-08100		

